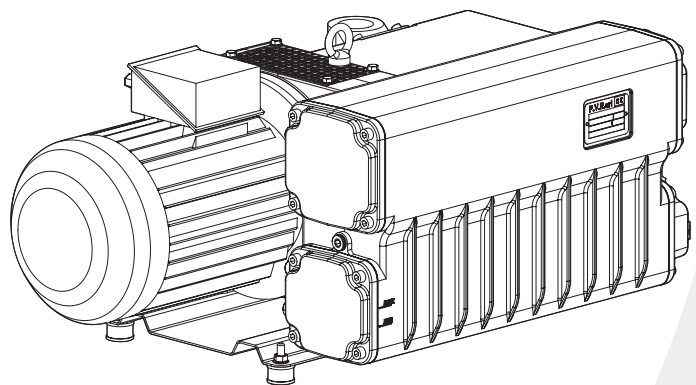


EU 105 - EU 105/B

*Lubricated vane
vacuum pump*



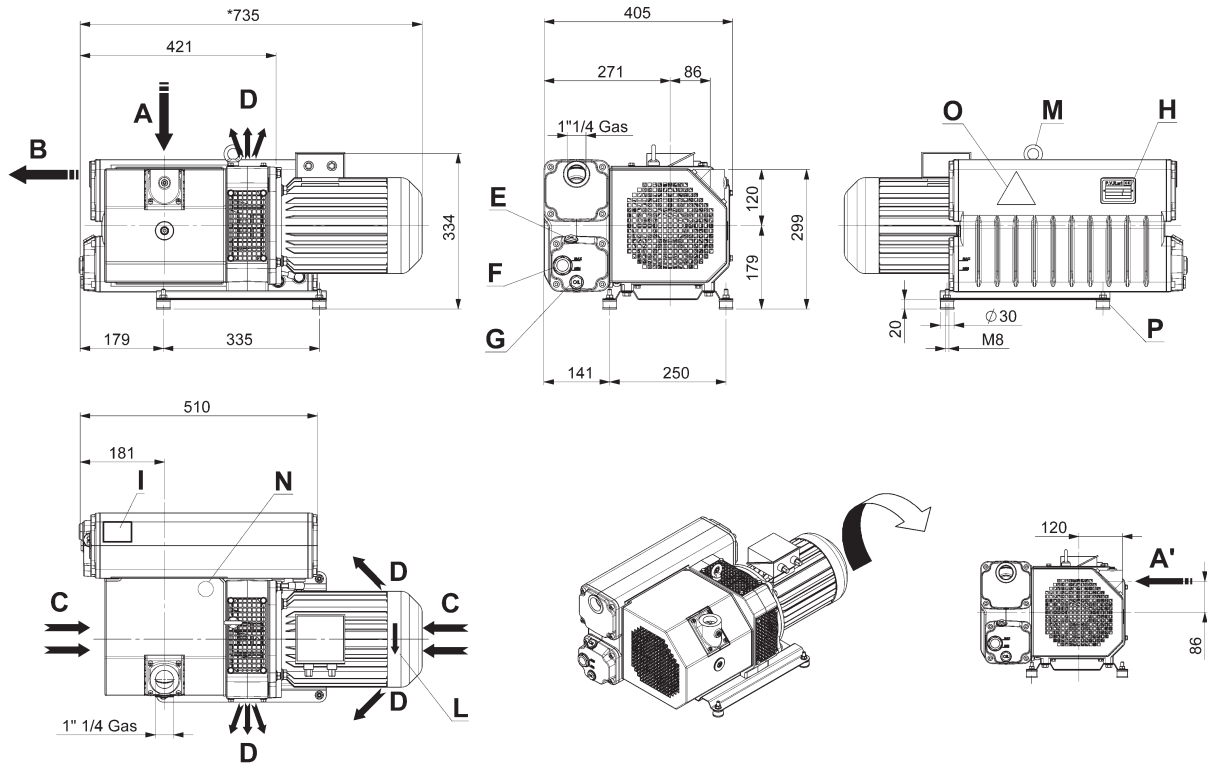
Technical data and parts lists

Publication Number:
RDT 2230.04 December 2017

Technical data and parts lists

ENG

EU105 – EU105/B



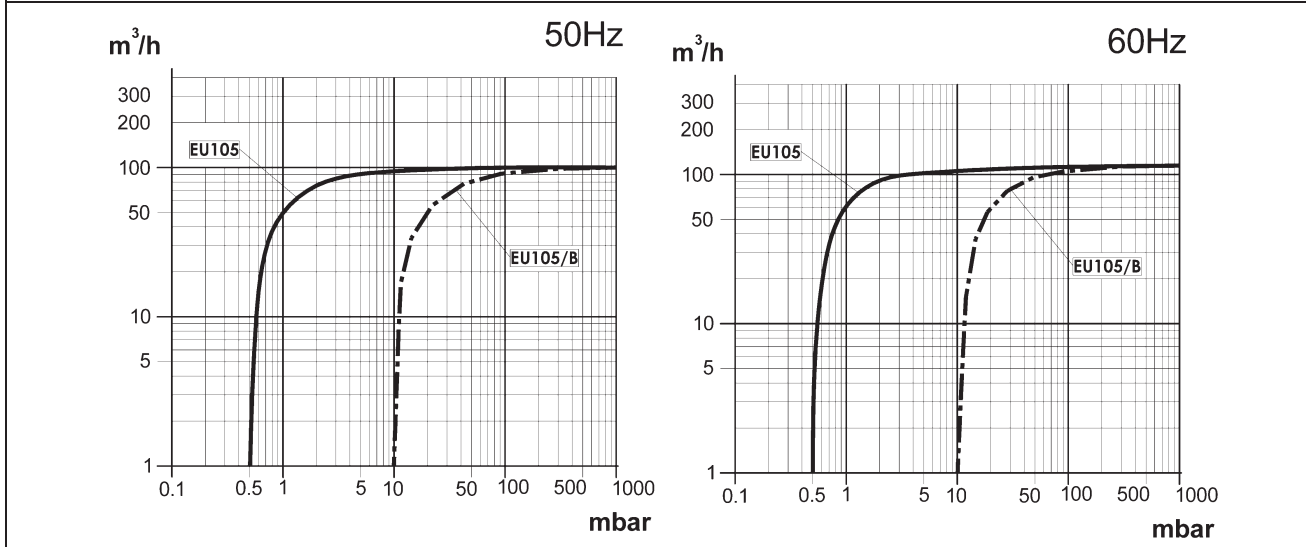
*Misure soggette a variazioni in funzione della marca del motore
 *Dimensions subject to changes depending on the motor brand
 *Données sujettes aux variations en fonction de la marque du moteur
 *Die Maße können aufgrund von Motorzeichen ändern
 *Medidas sujetas a variación en función de la marca del motor

	I	GB	F	D	E
A	Aspirazione verticale	Vertical inlet	Aspiration verticale	Senkrechter Einlass	Aspiración vertical
A'	Aspirazione orizzontale	Horizontal inlet	Aspiration horizontale	Waagerechter Einlass	Aspiración horizontal
B	Scarico aria	Exhaust	Sortie de l'air	Luftauslass	Salida de aire
C	Entrata aria raffreddamento	Cooling air inlet	Entrée air refroidissement	Kühlluftseintritt	Entrada aire refrigeración
D	Uscita aria raffreddamento	Cooling air outlet	Sortie air refroidissement	Kühlluftaustritt	Salida aire refrigeración
E	Tappo carico olio	Oil filling plug	Bouchon remplissage huile	Öleinfüllschraube	Tapón carga de aceite
F	Spia livello olio	Oil level sight glass	Voyant niveau huile	Ölschauglas	Mirilla aceite
G	Tappo scarico olio	Oil drain plug	Bouchon vidange huile	Ölablass-Schraube	Tapón vaciado de aceite
H	Targhetta identificazione	Pump name plate	Plaquette d'identification	Maschinenschild	Placa de identificación
I	Targhetta oli	Oil grade label	Plaquette huiles	Ölempfehlungsschild	Placa tipos de aceites
L	Targhetta rotazione	Rotation plate	Plaquette rotation	Drehungsschild	Placa sentido de giro
M	Golfaro di sollevamento	Lifting eyebolt	Anneau de levage	Aufhebenönschraube	Gancho de levantamiento
N	Zavorratore	Gas ballast valve	Lest d'air	Gasballastventil	Valvula gas-ballast
O	Targhetta superfici calde	Hot surfaces name plate	Plaquette surfaces chaudes	Typenschild für warme Fläche	Placa superficies calientes
P	Antivibranti	Vibration damper	Pied antivibratoire	Schwingungsdämpfer	Antivibrante

		EU105		EU105/B	
Portata nominale* Nominal speed* Débit nominal* Caudal nominal* Nennsaugvermögen*	m ³ /h	50Hz	105		
		60Hz	126		
Pressione finale*(assoluta) Ultimate pressure* (abs.) Pression limite* (abs.) Presión final* (abs.) Enddruck* (abs.)	mbar	0,5		10	
	Pascal	50		1000	
Potenza motore # / Numero di giri Motor power # / Rotational speed Puissance moteur # / Numéro de révolutions Potencia motor # / Velocidad de giro Motorleistung # / Drehzahl	kW	2,2			
	min ⁻¹	1500			
	kW	3			
	min ⁻¹	1800			
Caratteristiche motore elettrico Electric motor characteristics Caractéristiques moteur électrique Características motor eléctrico Motoreigenschaften	50Hz ~3		IM B5 230/400 V ±10%		
	60Hz ~3		IM B5 275/480 V ±10%		
Livello di pressione acustica Sound pressure level Niveau de pression acoustique Nivel de presión acústica Schalldruckpegel	dB(A) EN ISO 2151	50Hz	67		
		60Hz	69		
Pressione massima vapore H ₂ O ammissibile Water vapour tolerance Pression de vapeur d'eau maximale admissible Presión máxima de vapor de agua admisible Wasserdampfverträglichkeit	mbar	30			
Quantità vapore H ₂ O ammissibile Water vapour pumping capacity Capacité de pompage de la vapeur d'eau Cantidad de vapor de agua admisible Wasserdampfkapazität	kg/h	2,2			
Carica olio Oil capacity Charge d'huile Carga de aceite Ölfüllmenge	l	3			
Peso totale / senza motore Total weight / Without motor Poids total / Sans moteur Peso total / Sin motor Gesamtgewicht / Gewicht ohne Motor	kg	50Hz	82 / 58		
		60Hz	86 / 58		

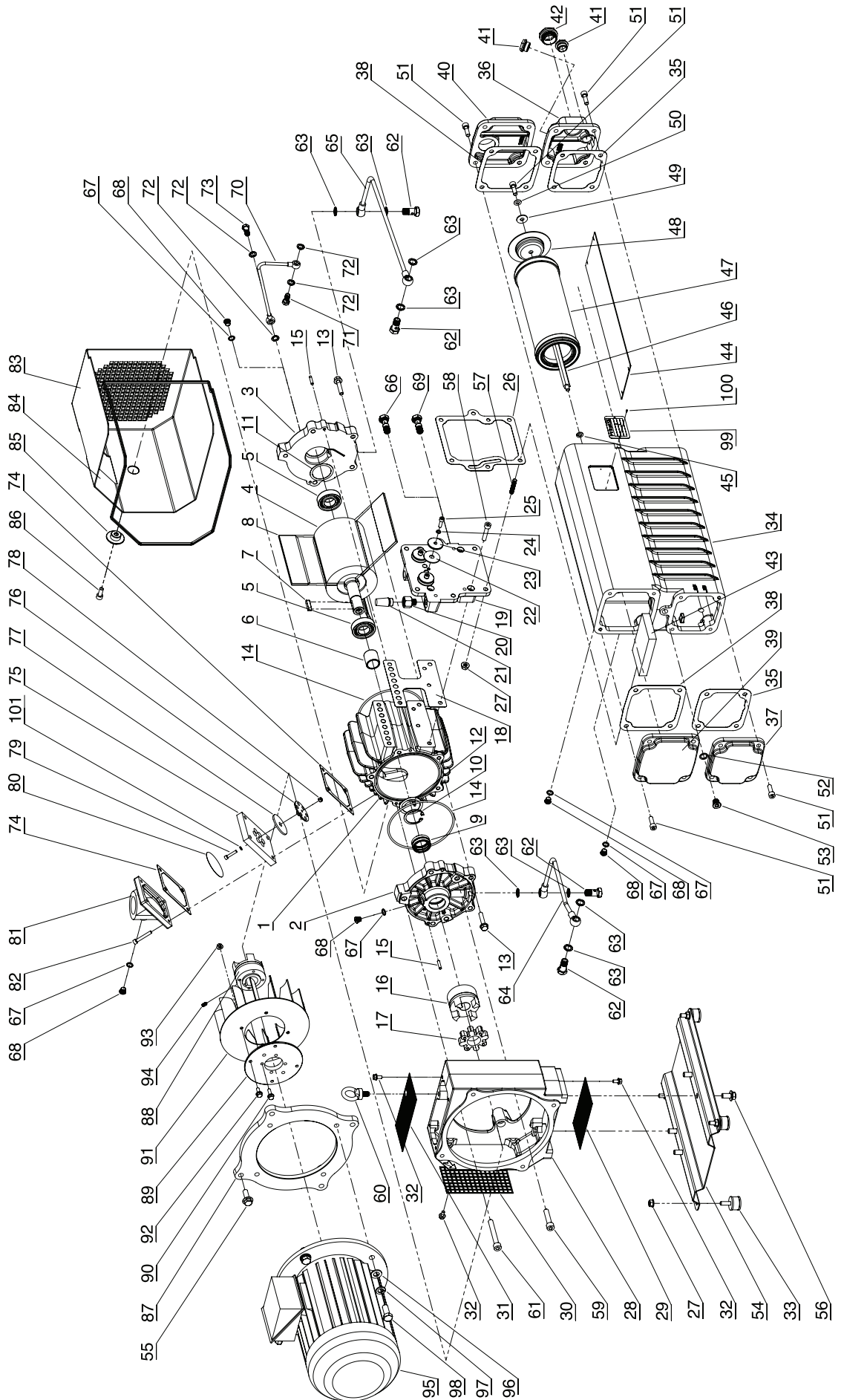
*Secondo accordi PNEUROP 6602.
*According to PNEUROP standard 6602.
*Selon la norme PNEUROP 6602.
*Según la normativa PNEUROP 6602.
*Nach der PNEUROP Norm 6602.

#Valido per temperature fino a 40°C e altitudini inferiori a 1000 m.
#Valid for temperatures up to 40°C and altitudes lower than 1000 m.
#Valable pour températures jusqu'à 40°C et pour altitudes inférieures à 1000 m.
#Válido para temperaturas hasta 40°C y altitudes inferiores a 1000 m.
#Gültig für Temperaturen bis 40°C und für Höhen weniger als 1000 m.



Technical data and parts lists

ENG



POS.		DESCRIPTION	QUANTITA'
1		Body of pump	1
2		Motor side cover	1
3		External side cover	1
4		Rotor	1
5		6205 Bearing	2
6		LR 25x30x30 Ring	1
7		8x7x30 Key	1
8		Vane	3
9	G	BABSL 30x40x7 Seal ring	2
10		J42 Seeger	1
11		42x52 Space washer	1
12		D 52 Shim ring	1
13		M8x40 Hex. Screw flanged and knurled	9
14		4562 O Ring	2
15		5x24 Pin	4
16		Pump side coupling half	1
17	R	KTR28 elastic coupling insert	1
18	G	Body of pump-spacer gasket	1
19		Pump-tank gasket	1
20		1/4"G Fitting+ non return valve	1
21		Silencer	1
22		Ø36/10x2 Rubber disk	3
23		Support valve disk	3
24		D 6 elastic washer	3
25		M6x20 Hex. Socket Head Screw	3
26	G	Spacer-Tank gasket	1
27		M8 Nut flanged and knurled	10
28		Fan cover sleeve	1
29		Sleeve lower safety mesh	1
30		Sleeve side safety mesh	1
31		Sleeve upper safety mesh	1
32		M6x12 Hex. screw flanged and knurled	12
33		Vibration damping foot	4
34		Tank	1
35	G	Lower tank cover gasket	2
36		External side lower tank cover	1
37		Motor side lower tank cover	1
38	G	Upper tank cover gasket	2
39		Motor side upper tank cover	1
40		External side upper tank cover	1
41		1/2"G Filling-discharge plug	2
42		1" Oil sight glass	1
43		114x79.5x17 Tank demister	1
44		Tank micro-stretched sheet	1
45		Ø8 Elastic washer	1
46		Stay bolt for exhaust filter	1
47	R	Exhaust filter	1
48		Disk for exhaust filter	1
49		Ø8 washer	1
50		Ø8-16x1 Al washer	1
51		M8x25 Hex. Socket head screw	17
52		1/4"G Al washer	1
53		1/4"G Hexagon socket head plug	1
54		Base-plate	1
55		M10x30 Hexagon screw flanged and knurled	4

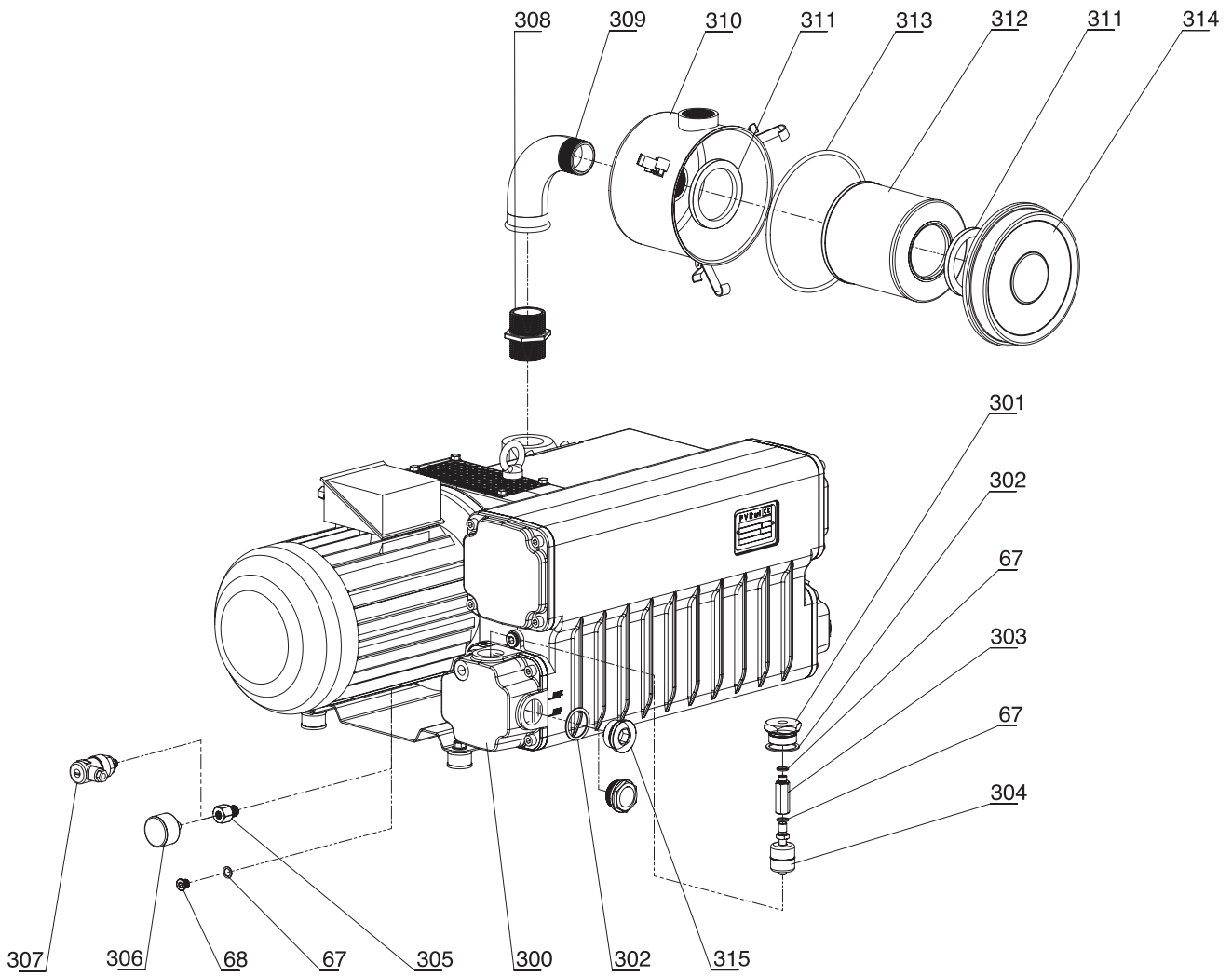
Technical data and parts lists

ENG

POS.		DESCRIPTION	QUANTITA'
56		M10x20 Hexagon screw flanged and knurled	4
57		M8X40 Hexagon socket stud Bolt	6
58		M8x40 Hexagon socket head screw	4
59		M10x45 Hexagon socket head screw	2
60		M10 Eyebolt	1
61		M10x75 Hex. socket head screw	1
62		Screw for 1/4"G fitting	4
63		1/4"Gas Cu washer	8
64		Motor side oil pipe	1
65		External side oil pipe	1
66		1/4"G screw with non return valve	1
67		1/8"G Al washer	8
68		1/8"G Hexagon socket head plug	6
69		1/4"G screw with plug for EU/B	1
70		Recovery pipe B version	1
71		1/8"G Hollow bolt	1
72		1/8"Gas Cu washer	4
73		Screw for 1/8" fitting for B version	1
74	G	Inlet gasket	2
75		Inlet valve body	1
76		Support valve disk	1
77	G	Rubber disk	1
78		Nylon M5 locknut	1
79		M5x25 Hexagon socket head screw	1
80		Ø63 Filtering mesh	1
81		Inlet port	1
82		M6x40 Hexagon socket head screw	4
83		Casing	1
84		Casing sheath	1
85		Disk for casing	1
86		M8x20 Hexagon socket head screw	1
87		Motor flange	1
88		Motor side coupling half	1
89		Fan hub	1
90		M6x20 Hexagon screw flanged and knurled	4
91		Ø200x72 Fan	1
92		M6x16 Hexagon screw flanged and knurled	4
93		M6 Nut flanged and knurled	4
94		M6X12 Hexagon socket stud Bolt	1
95		Electric motor	1
96		Ø12 washer	4
97		Ø12 elastic washer	4
98		M12x30 Hex. screw	4
99		Pump name plate	1
100		Ø1.85x5 Rivet	2
101		Al washer Ø5	1

Technical data and parts lists

ENG



POS.		DESCRIPTION	QUANTITA'
300		Motor side lower tank cover for accessories	1
301		Oil level switch port	1
302		1"G Al washer	1
303		Oil level switch extension	1
304		Oil level switch	1
305		M-F 1/8"-1/4" reduction	1
306		Oil filter condition manometer	1
307		Pressure switch	1
308		1"1/4G N8 nipple	1
309		1"1/4G G4 M-F Elbow	1
310		F144-1"1/4G Inlet filter housing	1
311	G	V gasket	2
312	R	Filtering element	1
313	G	M. O Ring for inlet filter	1
314		Inlet filter cover	1
315		EI 1"Gas Plug	1



PVR Srl **SEDE LEGALE E AMMINISTRATIVA:**

Via Santa Vecchia, 107 - 23868 Valmadrera (LC), Italy
T +39 0341 1918 51 - F +39 0341 1918 599
info@pvr.it - www.pvr.it

UNITÀ LOCALE:

Via IV Novembre, 104F
23868 Valmadrera (LC), Italy