

DATA SHEET

T 4.40 DV

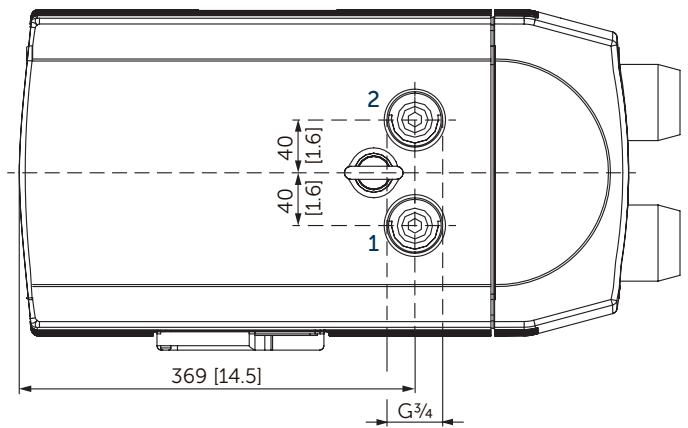
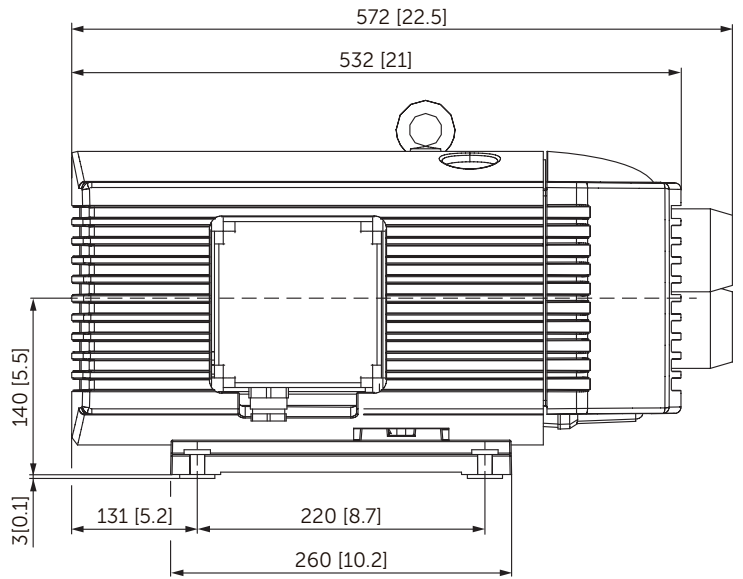
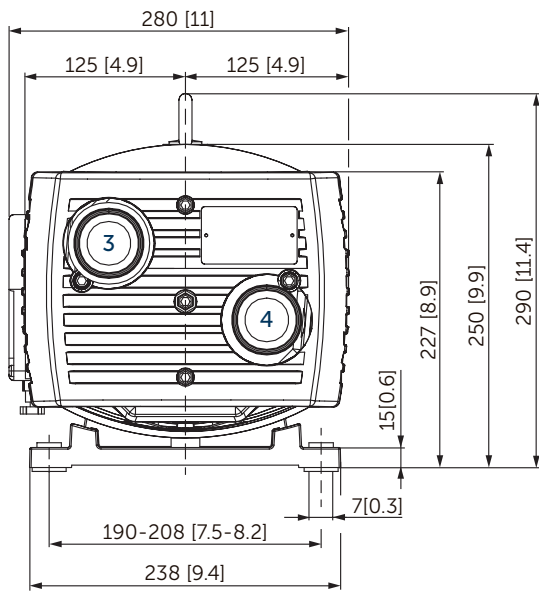
ROTARY VANE PRESSURE/VACUUM PUMPS

oil-free

air-cooled

MAKE IT BECKER.





- 1 Vacuum connection (G^{3/4})
- 2 Pressure connection (G^{3/4})
- 3 Vacuum regulating valve
- 4 Pressure regulating valve
- Including integrated suction air filter
- The illustration of the terminal box may vary.
- Dimensions in mm [inch]

Air rate		Pressure/vacuum relative		Emission sound pressure level ¹⁾		Weight with motor ²⁾
m ³ /h		bar		dB(A)		kg
50 Hz	60 Hz	50 Hz	60 Hz	50 Hz	60 Hz	
35	43	±0.5	±0.5	66	68	≈38.5

¹⁾ According to DIN EN ISO 3744 (KpA = 3 dB(A)), 1 m [39.4 inch] distance, at medium load, both connection sides piped

²⁾ Depending on the motor

3~ Motors									
#	50 Hz				60 Hz				Version
	kW	V	rpm	A	kW	V	rpm	A	
01	1.25	190-255/ 330-440	1430	5.2-6.2/ 3.0-3.6	1.5	190-290/ 330-500	1680	6.9-5.7/ 4.0-3.3	IP54 • ISO F PTO bimetal 150°C

1~ Motor									
#	50 Hz				60 Hz				Version
	kW	V	rpm	A	kW	V	rpm	A	
01	1.1	230 ±10%	1350	7.6	1.1	230 ±10%	1620	7.3	IP54 • ISO F PTO bimetal 150°C 30 µF (400 V)

- Current consumption and rotation speed may vary. Tolerance in each case -1.5/+2%

Air rates • power consumptions • temperatures								
relative pressure			relative vacuum					
			0 bar	50 Hz -0.25 bar	-0.5 bar	0 bar	60 Hz -0.25 bar	-0.5 bar
+0.25 bar	Suction air rate	m ³ /h	35.88	25.77	14.9	42.49	30.39	16.53
	Blast air rate	m ³ /h	35.88	25.77	14.9	42.49	30.39	16.53
	Power consumption	kW	0.97	0.97	1	1.28	1.25	1.25
	Temperature compressed air	°C	68	77	90	76	84	101
+0.5 bar	Suction air rate	m ³ /h	34.16	23.95	13.48	41.13	29.26	13.48
	Blast air rate	m ³ /h	34.16	23.95	13.48	41.13	29.26	13.48
	Power consumption	kW	1.1	1.13	1.17	1.45	1.44	1.46
	Temperature compressed air	°C	77	89	101	83	95	110

Reference data (atmosphere): 1000 mbar (100 kPa), 20°C (68°F)

Tolerance: ±5%

Air temperature: 5°C ... 45°C (41°F ... 135°F)

+ VARIANTS AND ACCESSORIES

- **T 4.40 DSK** with compressed air cooler, maximum ± 0.6 bar¹⁾
- With external suction filter¹⁾
- Sound proof box SH 19¹⁾



Example for an external suction filter



Sound proof box SH 19

¹⁾ See separate data sheet

- Possible combinations on request



MAKE IT BECKER.