

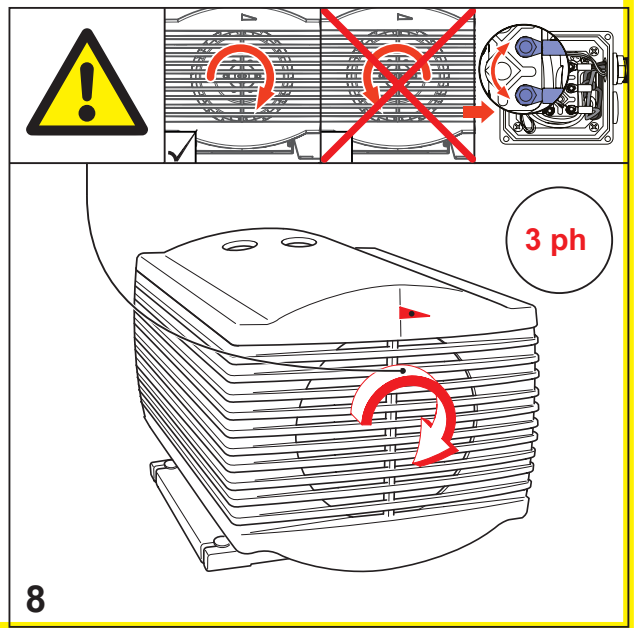
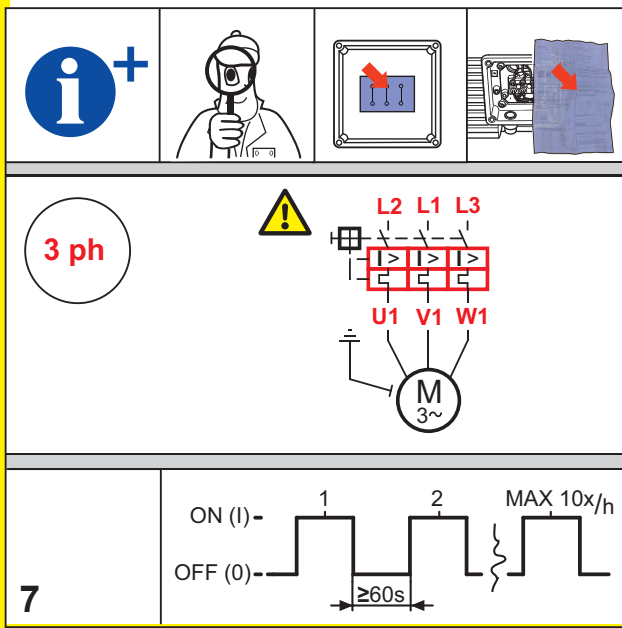
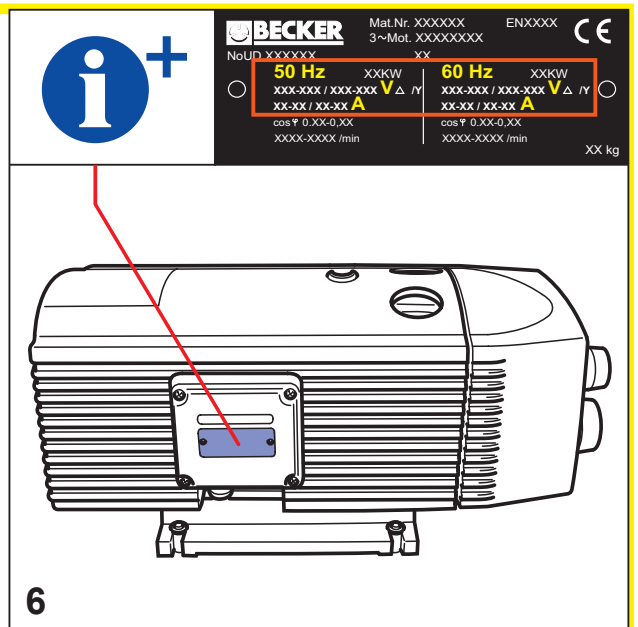
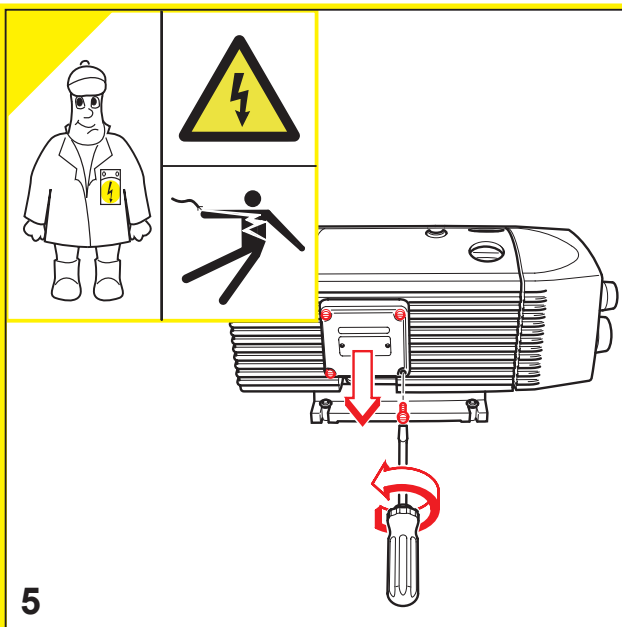
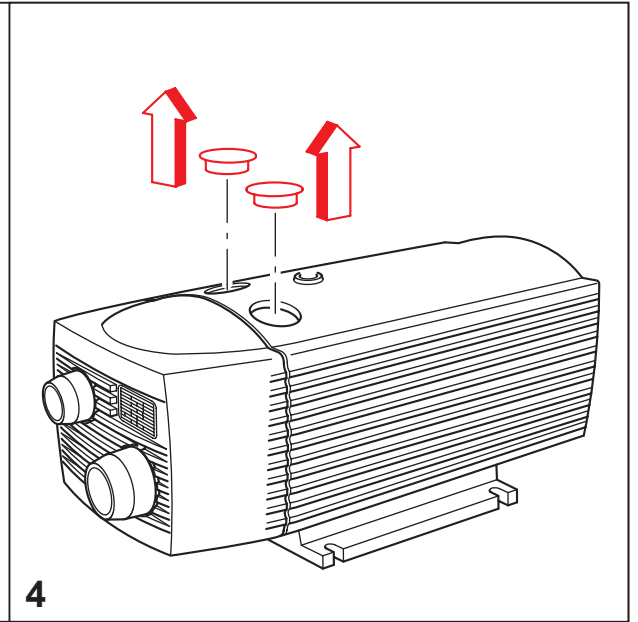
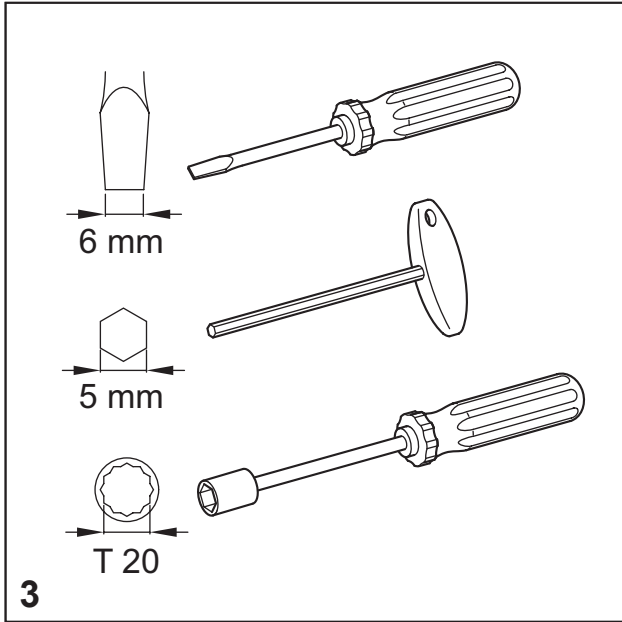
Betriebsanleitung
 Operating Instructions
 Instructions de service
 Istruzioni d'uso
 Handleiding
 Instrucciones para el manejo
 Manual de instruções
 Naudojimosi instrukcija
 Kasutusjuhend
 Lietošanas instrukcija
 Driftsinstruks
 Driftsinstruktioner
 Käyttöohje
 Driftsvejledning
 Instrukcja obsługi

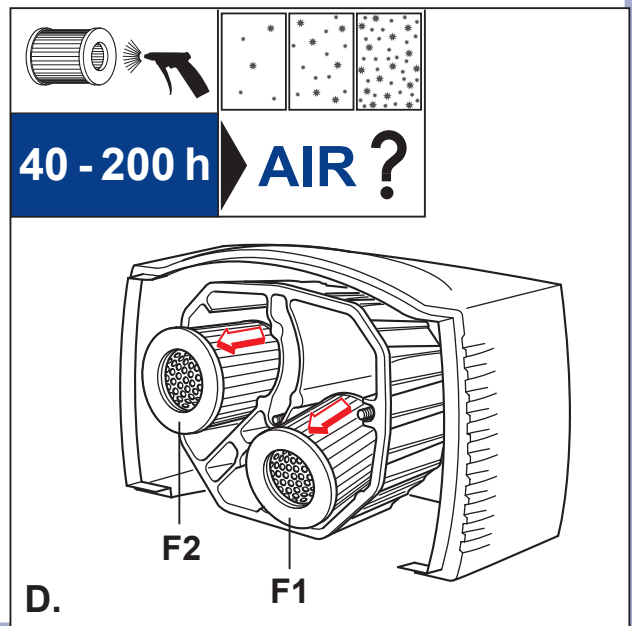
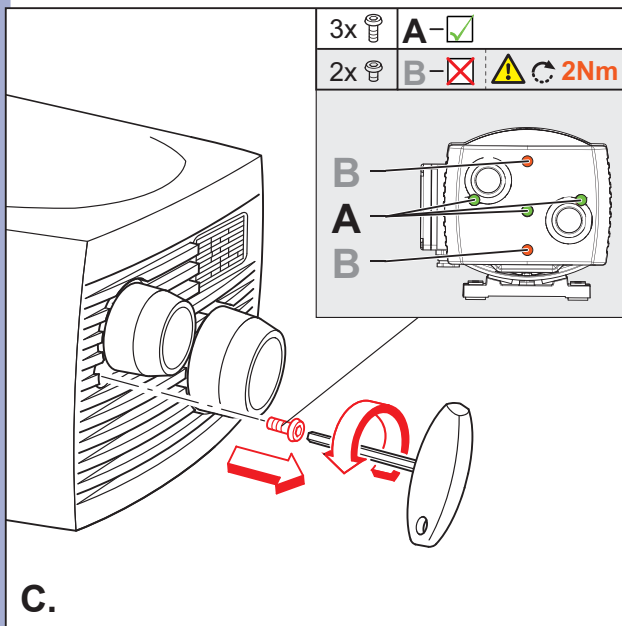
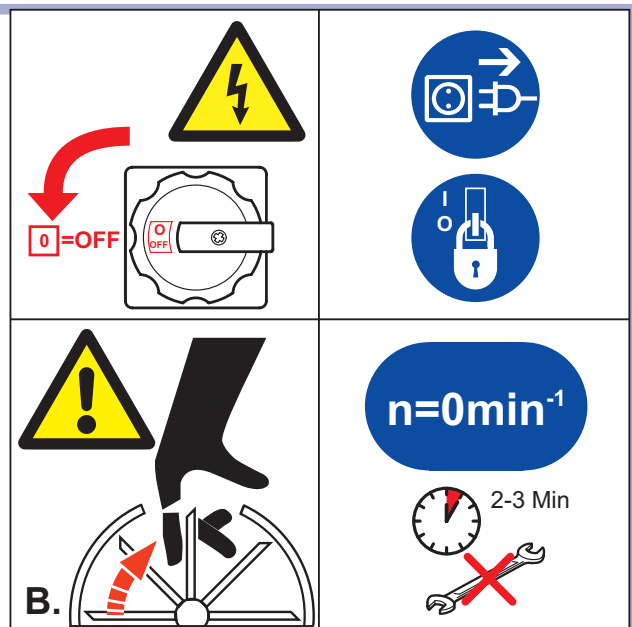
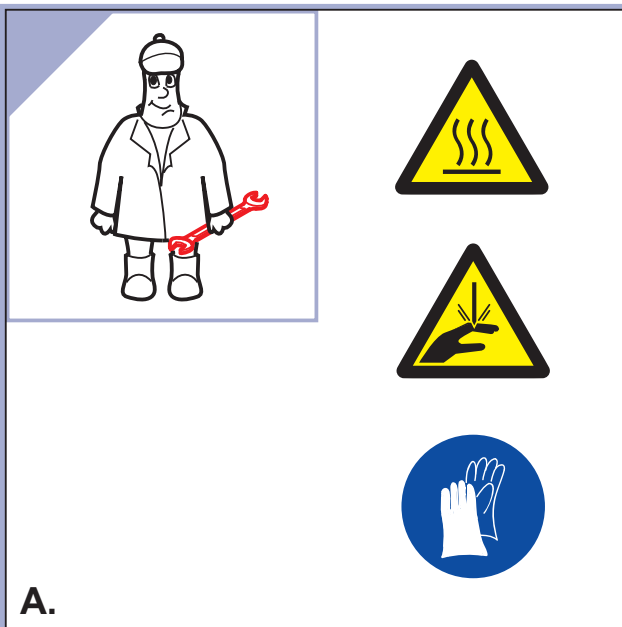
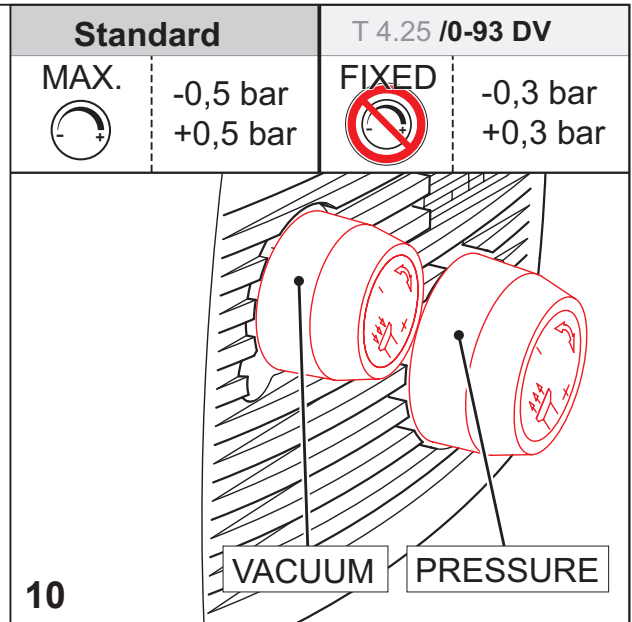
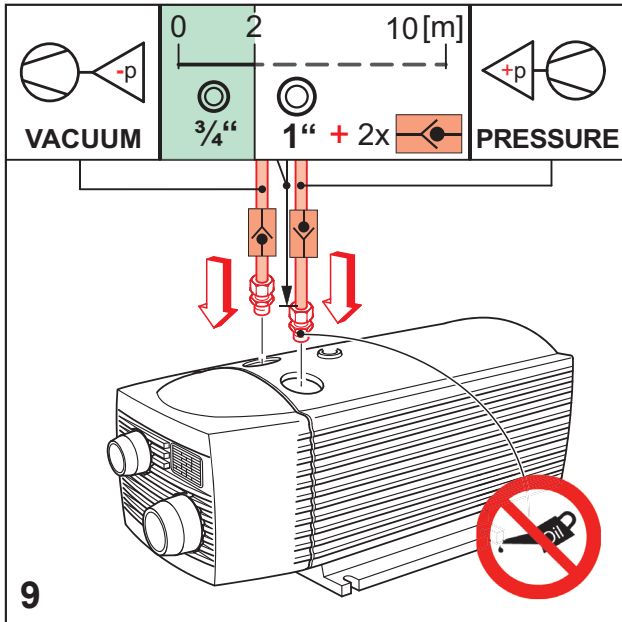
Kezelési útmutató
 Návod k obsluze
 Navodilo za uporabo
 Návod na obsluhu
 Upute za rad
 Manual de operatii
 Treoracha Oibriúcháin
 Οδηγίες χρήσης
 El Kitabi
 Инструкции за експлоатация
 Инструкция по эксплуатации
 取扱説明書
 사용설명서
 使用说明书


T 4.25 DV
T 4.40 DV

 	 	MAX. PRESSURE MAX. VACUUM		mbar
			 MAX.	
 <input checked="" type="checkbox"/> AIR	 	T 4.25 DV $L_{pA} = 69/69 \text{ dB(A) [50/60Hz]}$	DIN EN ISO 3744 $K_{pA} = 3 \text{ dB(A)}$	
		T 4.40 DV $L_{pA} = 66/68 \text{ dB(A) [50/60Hz]}$		

				A > 100mm A > 4"									
1 		<table border="1"> <tr> <td>T 4.25 DV</td> </tr> <tr> <td>26 kg</td> </tr> <tr> <td>57 lbs</td> </tr> <tr> <td>T 4.40 DV</td> </tr> <tr> <td>38,5 kg</td> </tr> <tr> <td>85 lbs</td> </tr> </table>	T 4.25 DV	26 kg	57 lbs	T 4.40 DV	38,5 kg	85 lbs		2 			
T 4.25 DV													
26 kg													
57 lbs													
T 4.40 DV													
38,5 kg													
85 lbs													



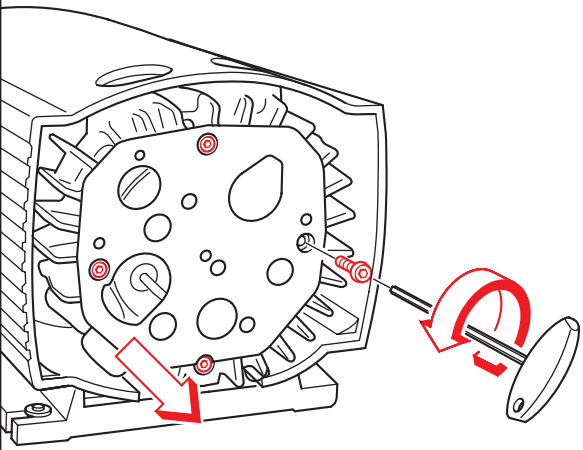




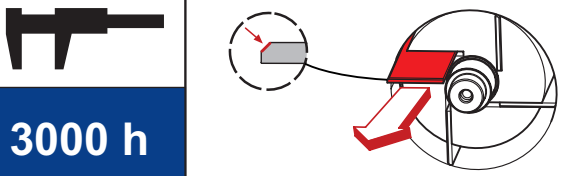
F1: D: 64 mm
H: 70 mm
No.: 90950500000

F2: D: 64 mm
H: 60 mm
No.: 90952900000

E.



F.



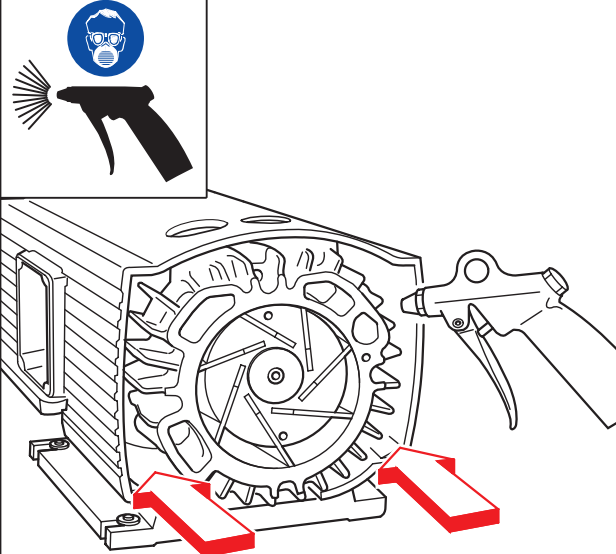
3000 h

A MIN. > 28mm
MAX.
MIN.


A MIN. < 28mm

G.

T 4.25 DV → No. 90134900007 (SET)
T 4.40 DV → No. 90135200007 (SET)



H.



www.becker-international.com



Gebr. Becker GmbH
Hölker Feld 29-31
D-42279 Wuppertal
info@becker-international.com



SERVICE
www.becker-international.com
Sales and service network