

DATA SHEET

T 4.25 DV

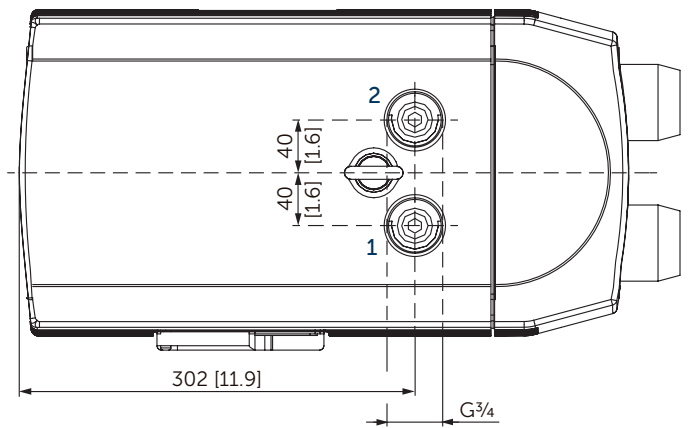
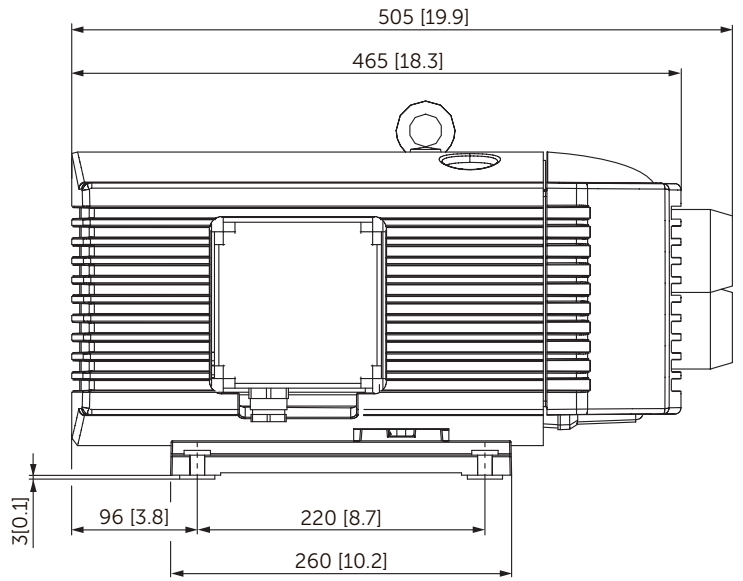
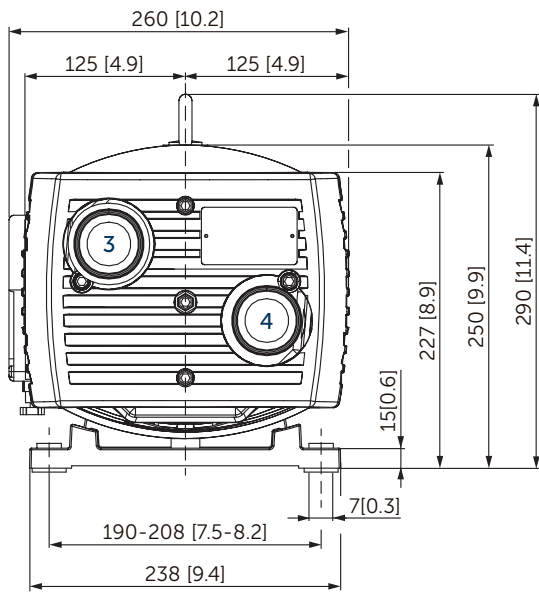
ROTARY VANE PRESSURE/VACUUM PUMPS

oil-free

air-cooled

MAKE IT BECKER.





- 1 Vacuum connection (G³/₄)
- 2 Pressure connection (G³/₄)
- 3 Vacuum regulating valve
- 4 Pressure regulating valve
- Including integrated suction air filter
- The illustration of the terminal box may vary.
- Dimensions in mm [inch]

Air rate		Pressure/vacuum relative		Emission sound pressure level ¹⁾		Weight with motor ²⁾
50 Hz	60 Hz	50 Hz	60 Hz	50 Hz	60 Hz	
35	43	±0.5	±0.5	66	68	≈38.5

¹⁾ According to DIN EN ISO 3744 (KpA = 3 dB(A)), 1 m [39.4 inch] distance, at medium load, both connection sides piped

²⁾ Depending on the motor

3~ Motors									
#	50 Hz				60 Hz				Version
	kW	V	rpm	A	kW	V	rpm	A	
01	0.75	175–260/ 300–450	1430	3.90–4.85/ 2.25–2.80	0.9	202–300/ 350–520	1690	1.65–4.25/ 2.70–2.45	IP54 • ISO F

1~ Motor									
#	50 Hz				60 Hz				Version
	kW	V	rpm	A	kW	V	rpm	A	
01	0.8	230 ±10%	1350	6.4	1.0	230 ±10%	1600	7.2	IP54 • ISO F 25 µF (450 V)

- Current consumption and rotation speed may vary. Tolerance in each case -1.5/+2%

Air rates • power consumptions • temperatures								
relative pressure			relative vacuum					
			0 bar	50 Hz			60 Hz	
			0 bar	-0.25 bar	-0.5 bar	0 bar	-0.25 bar	-0.5 bar
+0.25 bar	Suction air rate	m ³ /h	23.63	16.52	9.18	28.27	19.99	11.39
	Blast air rate	m ³ /h	23.63	16.52	9.18	28.27	19.99	11.39
	Power consumption	kW	0.58	0.62	0.67	0.65	0.67	0.7
	Temperature compressed air	°C	58	66	76	62	70	81
+0.5 bar	Suction air rate	m ³ /h	22.07	14.99	7.79	26.91	18.43	10.22
	Blast air rate	m ³ /h	22.07	14.99	7.79	26.91	18.43	10.22
	Power consumption	kW	0.67	0.71	0.76	0.76	0.8	0.87
	Temperature compressed air	°C	65	76	85	70	81	91

Reference data (atmosphere): 1000 mbar (100 kPa), 20°C (68°F)

Tolerance: ±5%

Air temperature: 5°C ... 45°C (41°F ... 135°F)

+ VARIANTS AND ACCESSORIES

- **T 4.25 DSK** with compressed air cooler, maximum ± 0.6 bar¹⁾
- With external suction filter¹⁾
- Sound proof box SH 19¹⁾



Example for an external suction filter



Sound proof box SH 19

¹⁾ See separate data sheet

- Possible combinations on request



MAKE IT BECKER.