

DATA SHEET

T 4.16 DV

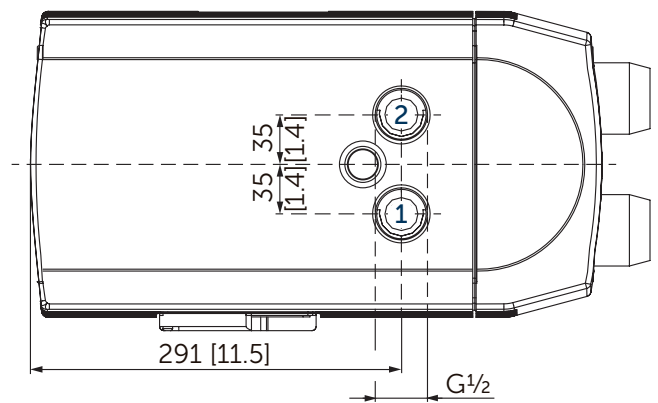
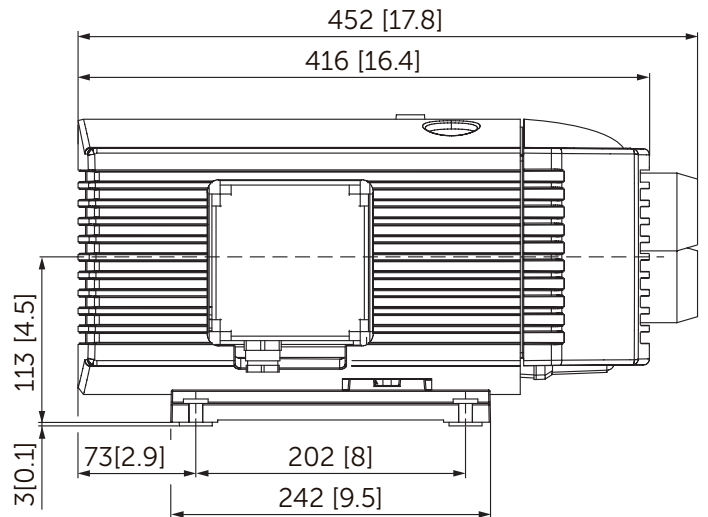
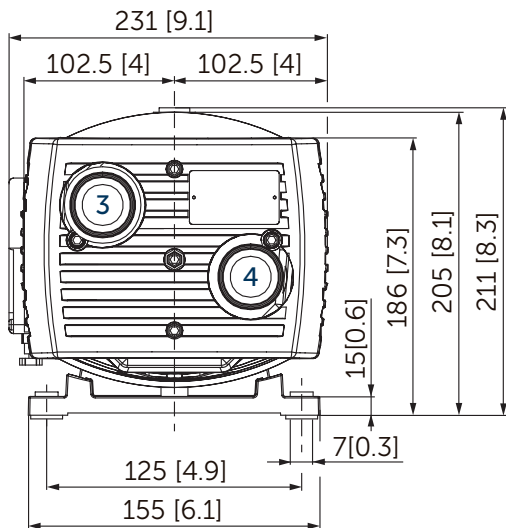
ROTARY VANE PRESSURE/VACUUM PUMPS

oil-free

air-cooled

MAKE IT BECKER.





- 1 Vacuum connection (G¹/₂)
- 2 Pressure connection (G¹/₂)
- 3 Vacuum regulating valve
- 4 Pressure regulating valve
- Including integrated suction air filter
- The illustration of the terminal box may vary.
- Dimensions in mm [inch]

Air rate		Pressure/vacuum relative		Emission sound pressure level ¹⁾		Weight with motor ²⁾
m ³ /h		bar		dB(A)		kg
50 Hz	60 Hz	50 Hz	60 Hz	50 Hz	60 Hz	
16	20	±0.5	±0.5	61	63	≈24

¹⁾ According to DIN EN ISO 3744 (KpA = 3 dB(A)), 1 m [39.4 inch] distance, at medium load, both connection sides piped

²⁾ Depending on the motor

3~ Motors											
#	50 Hz					60 Hz					Version
	kW	V	rpm	A	kW	V	rpm	A			
01	0.55	Δ230/Y400	IE2	1445	3.10–1.79	Δ265/Y460	IE2	1740	3.05–1.76	IP54 • ISO F PTO (bimetal) 150°C	
						Δ230/Y400	IE2	1715	3.03–1.75		
						Δ208/Y360	IE2	1690	3.14–1.81		
02	0.55	175–260/ 300–450	–	1420	3.8/2.2	0.7	202–300/ 350–520	–	1700	3.9/2.25	IP54 • ISO F

1~ Motor											
#	50 Hz					60 Hz					Version
	kW	V	rpm	A	kW	V	rpm	A			
01	0.55	230 ±10%	1360	4.6	0.66	230 ±10%	1600	5.2	IP54 • ISO F 20 μF (450 V)		
02					0.66	115 ±6%	1630	9.5	UL(E123782) IP54 • ISO F 80 μF (240 V)		

- Current consumption and rotation speed may vary. Tolerance in each case -1.5/+2%

Air rates • power consumptions • temperatures								
relative pressure			relative vacuum					
			0 bar	50 Hz -0.25 bar	-0.5 bar	0 bar	60 Hz -0.25 bar	-0.5 bar
+0.25 bar	Suction air rate	m ³ /h	15.5	11.1	6.5	18.1	13.3	8.0
	Blast air rate	m ³ /h	15.5	11.1	6.5	18.1	13.3	8.0
	Power consumption	kW	0.42	0.43	0.43	0.52	0.56	0.54
	Temperature compressed air	°C	60	66	74	68	73	81
+0.5 bar	Suction air rate	m ³ /h	15	10.1	6	17.9	12.3	7.3
	Blast air rate	m ³ /h	15	10.1	6	17.9	12.3	7.3
	Power consumption	kW	0.48	0.48	0.53	0.58	0.59	0.62
	Temperature compressed air	°C	69	77	83	76	83	91

Reference data (atmosphere): 1000 mbar (100 kPa), 20°C (68°F)

Tolerance: ±5%

Air temperature: 5°C ... 45°C (41°F ... 135°F)

+ VARIANTS AND ACCESSORIES

- With external suction filter¹⁾
- Sound proof box SH 20¹⁾



Example for an external suction filter



Sound proof box SH 20

¹⁾ See separate data sheet

- Possible combinations on request



MAKE IT BECKER.