

DATA SHEET

KDT 3.140

ROTARY VANE COMPRESSORS

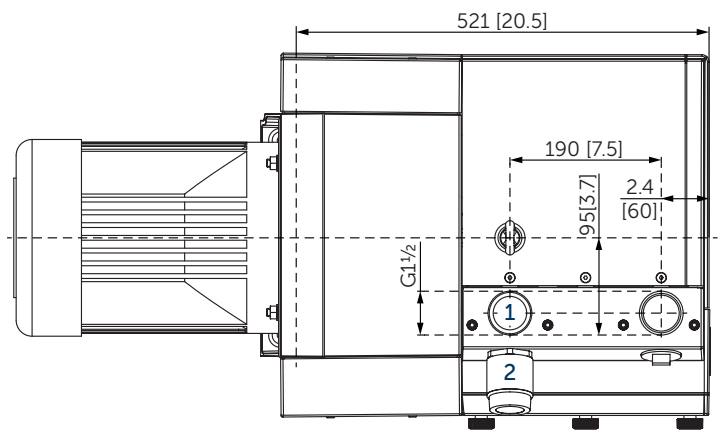
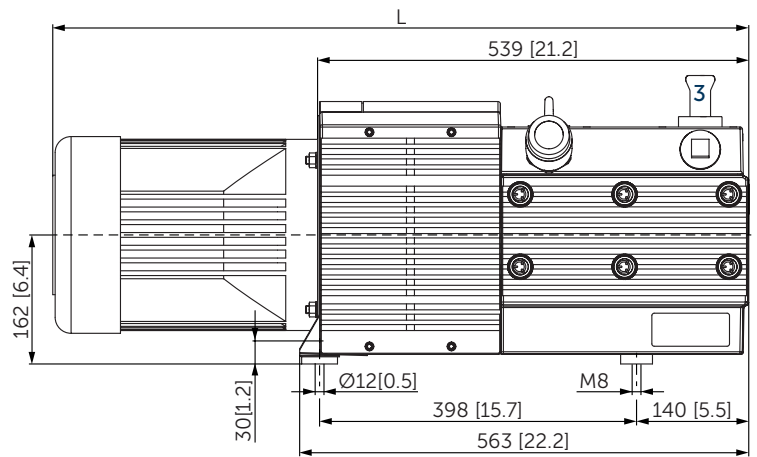
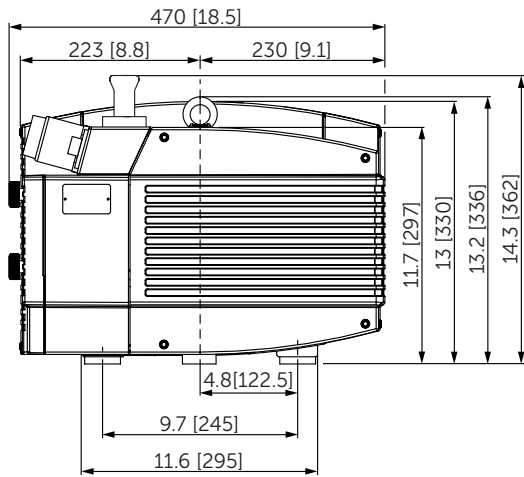
oil-free

air-cooled

MAKE IT BECKER.



figure KDT 3.80



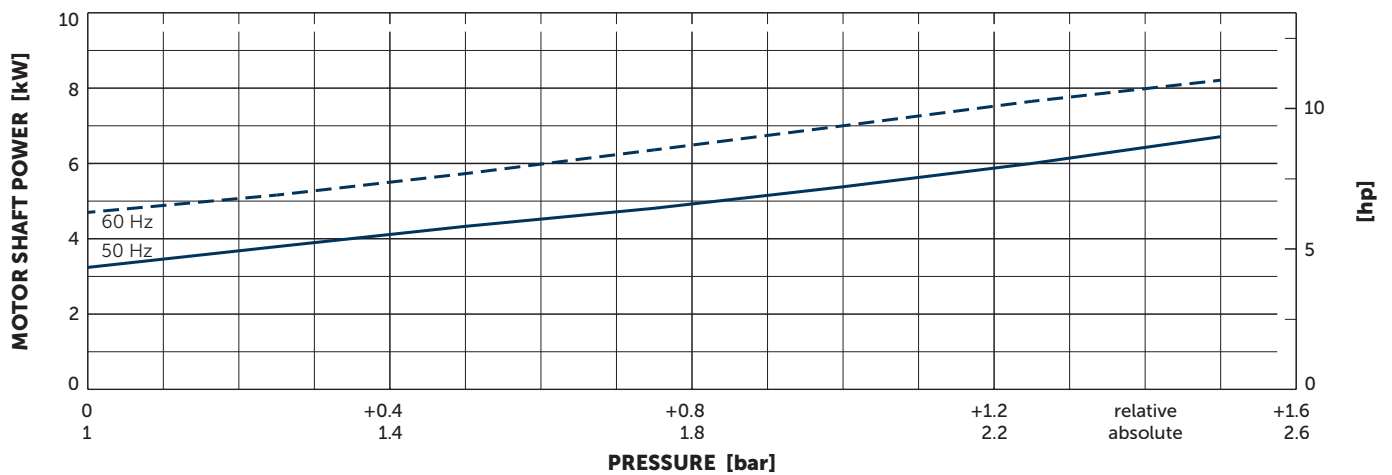
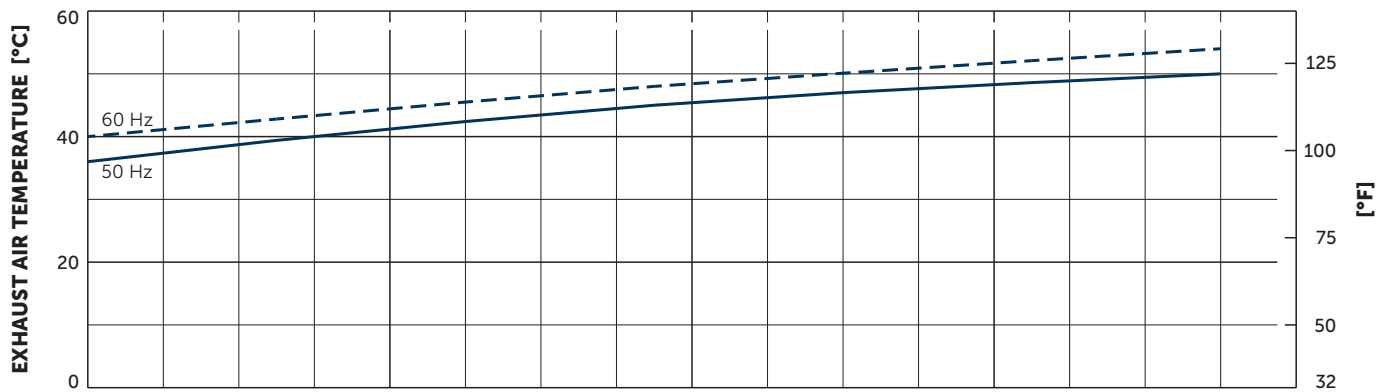
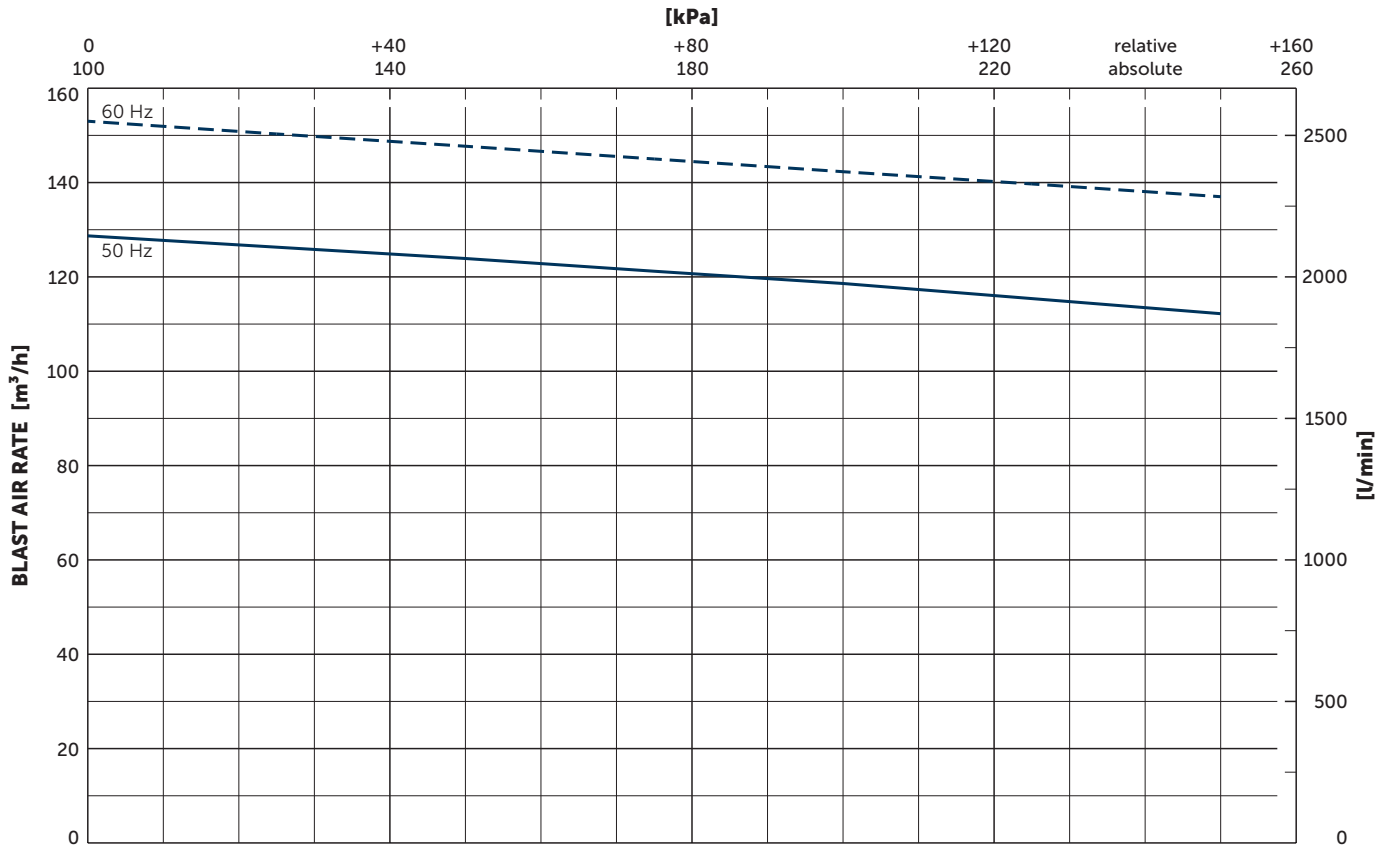
- 1 Pressure connection (G1½)
- 2 Pressure regulating valve
- 3 Air nozzle
- Including integrated suction air filter
- The motor illustration may vary
- Dimensions in mm [inch]

Blast air rate		Pressure relative		Motors		Emission sound pressure level ¹⁾		Weight w/o motor
m ³ /h		bar		kW		dB(A)		kg
50 Hz	60 Hz	50 Hz	60 Hz	50 Hz	60 Hz	50 Hz	60 Hz	
129	153	+0.5	+0.5	5.5	6.6	80	82	78
129	153	+1.0	+1.0	7.5	9.0	82	84	78
129	153	+1.5	+1.5	7.5	9.0	82	84	78

¹⁾ According to DIN EN ISO 3744 (KpA = 3 dB(A)), 1 m [39.4 inch] distance, at medium load, both connection sides piped

3~ Motors												L	
#	50 Hz				60 Hz				Weight kg	Version	mm [inch]		
	kW	V	min ⁻¹	A	kW	V	min ⁻¹	A					
01	5.5	Δ400	IE3	1470	12.3	6.6	Δ460 Δ400	IE3	1765 1750	12.0 12.4	53.0	IP55 • ISO F • bimetal	913 [36.0]
02						6.6	YY230/Y460 YY208	IE3	1768 1760	23.9/11.95 24.2	63.5	UL(E365362) • CSA IP55 • ISO F • bimetal	951 [37.5]
03	5.5	Δ200/Y350	IE3	1465	21.5/12.4	6.6	Δ220/Y380–400 Δ200/Y350	IE3	1755 1740	22.5/13.0–12.7 24.1/13.9	63.5	UL(E365362) • CSA CC334B IP55 • ISO F • bimetal	951 [37.5]
04						6.6	Δ400/Y690	IE3	1760	12.5/7.2	63.5	UL(E365362) • CSA CC334B IP55 • ISO F • bimetal	951 [37.5]
05	7.5	Δ400	IE3	1445	16.0	9.0	Δ460 Δ400	IE3	1735 1725	15.5 18.0	55.0	IP55 • ISO F • bimetal	953 [37.5]
06						9.0	YY230/Y460 YY208	IE3	1763 1760	33.6/16.8 33.8	68.0	UL(E235514) • CSA CC329B IP55 • ISO F • bimetal	940.5 [37.1]
07	7.5	Δ200/Y350	IE3	1450	31.8/18.3	9.0	Δ220/Y380–400 Δ200/Y350	IE3	1760 1745	31.5/18.2–17.3 33.9/19.5	55.0	IP55 • ISO F • bimetal	953 [37.5]
08						9.0	Δ400/Y690	IE3	1760	19.2/11.1	55.0	IP55 • ISO F • bimetal	953 [37.5]

- Current consumption and rotation speed may vary. Tolerance in each case -1.5/+2%



Reference data (atmosphere): 1000 mbar (100 kPa), 20°C (68°F)
 Tolerance: ±5%
 Air temperature: 5°C ... 45°C (41°F ... 135°F)

+ VARIANTS AND ACCESSORIES

- **KDT 3.140/0-52** for short-time operation with +2.0 bar¹⁾
- **VARIAIR KDT 3.140/0-400** with frequency inverter¹⁾
- Increased corrosion protection
- External suction filter¹⁾
- Sound proof box SH 13¹⁾



VARIAIR KDT 3.140/0-400



Example for an external suction filter



Sound proof box SH 20

¹⁾ See separate data sheet

- Possible combinations on request



MAKE IT BECKER.