

DATA SHEET

KDT 3.100

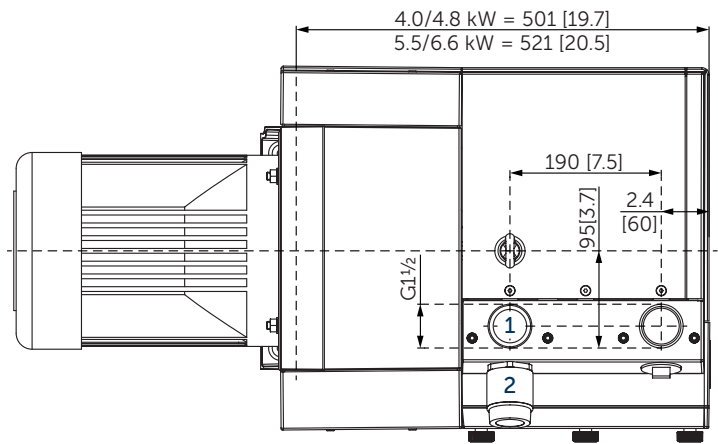
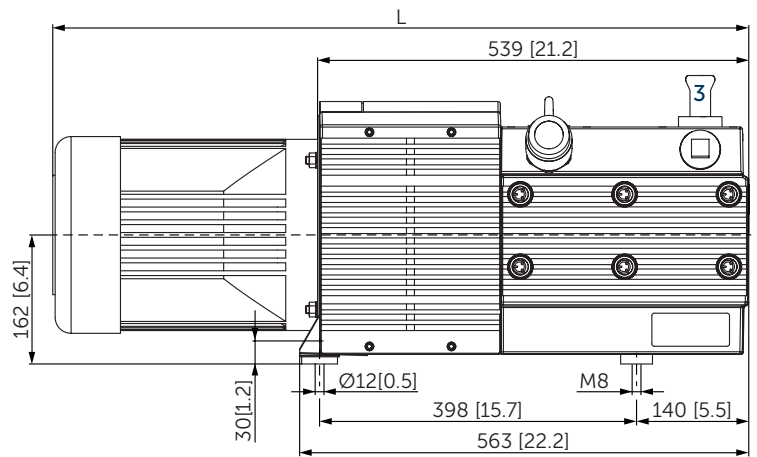
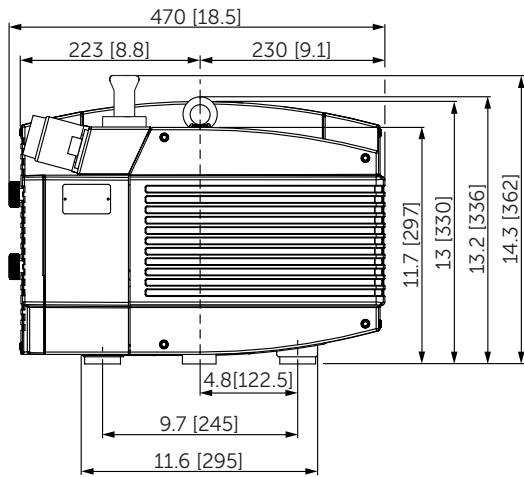
ROTARY VANE COMPRESSORS

oil-free
air-cooled

MAKE IT BECKER.



figure KDT 3.80



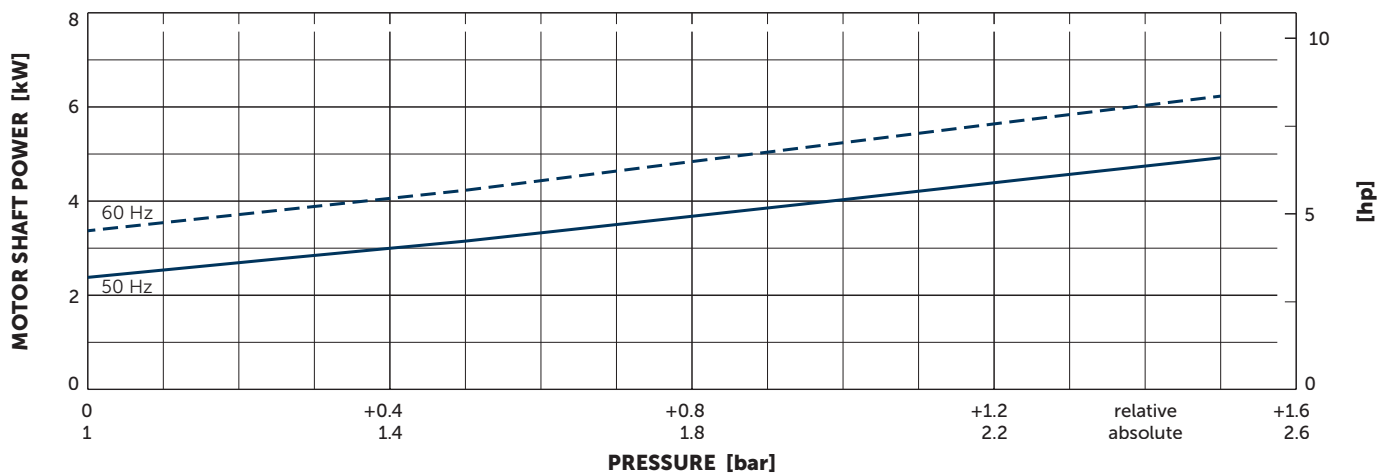
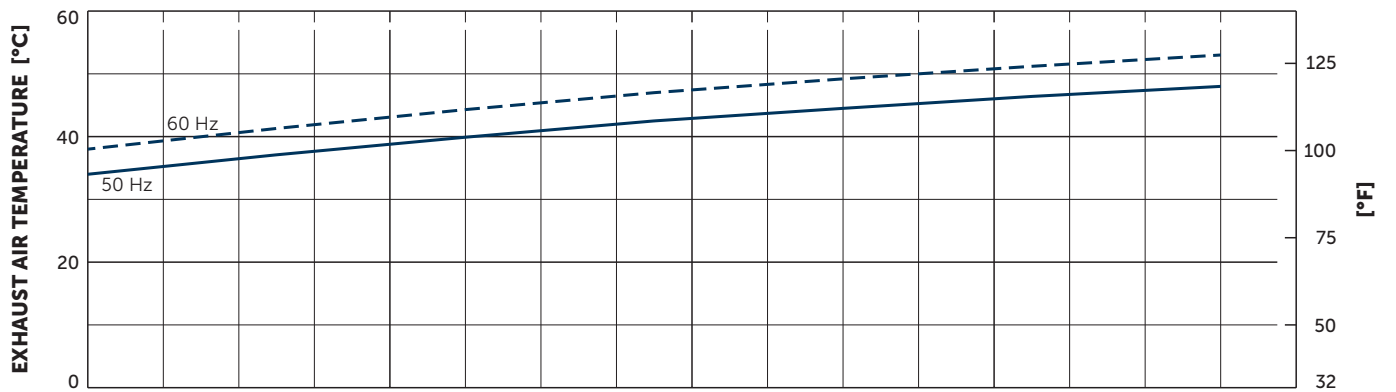
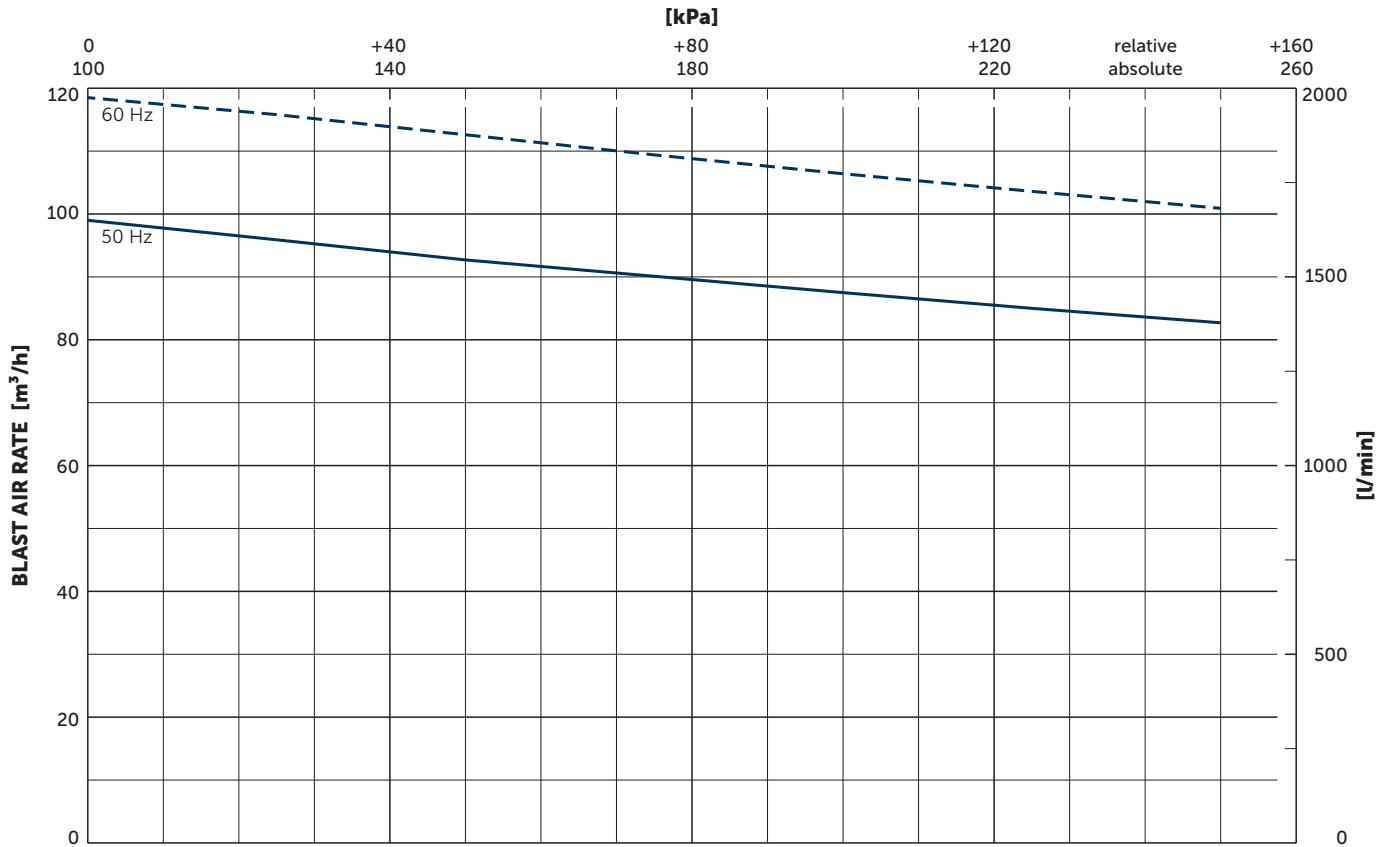
- 1 Pressure connection (G1½)
- 2 Pressure regulating valve
- 3 Air nozzle
- Including integrated suction air filter
- The motor illustration may vary
- Dimensions in mm [inch]

Blast air rate		Pressure relative		Motors		Emission sound pressure level ¹⁾		Weight w/o motor
m ³ /h		bar		kW		dB(A)		kg
50 Hz	60 Hz	50 Hz	60 Hz	50 Hz	60 Hz	50 Hz	60 Hz	
99	118	+0.5	+0.5	4.0	4.8	75	77	71
99	118	+1.0	+1.0	5.5	6.6	76	78	71
99	118	+1.5	+1.5	5.5	6.6	76	78	71

¹⁾ According to DIN EN ISO 3744 (KpA = 3 dB(A)), 1 m [39.4 inch] distance, at medium load, both connection sides piped

3~ Motors													L
#	50 Hz				60 Hz				Weight kg	Version	mm [inch]		
	kW	V	min ⁻¹	A	kW	V	min ⁻¹	A					
01	4.0	Δ230/Y400	IE3	1447	15.5/8.9	4.8	Δ265/Y460 Δ230/Y400	IE3	1744 1722	14.9/8.6 15.9/9.2	34.0	IP55 • ISO F • bimetal	829.0 [32.7]
02						4.5	YY230/Y460 YY208	IE3	1759 1753	18.4/9.2 18.7	41.0	UL(E235514) • CSA CC329B IP55 • ISO F • bimetal	862.0 [34.0]
03						4.8	YY230/Y460 YY208	IE3	1781 1770	15.4/8.9 18.4	58.0	UL(E235514) • CSA CC329B IP55 • ISO F • bimetal	950.0 [37.4]
04	4.0	Δ200/Y350	IE3	1465	20.3/11.7	4.5	Δ220/Y380–400 Δ200/Y350	IE3	1760 1753	18.5/10.7 19.0/11.0	40.0	UL(E235514) • CSA CC329B IP55 • ISO F • bimetal	862.0 [34.0]
05						4.5	Δ400	IE3	1763	9.8	40.0	UL(E235514) • CSA CC329B IP55 • ISO F • bimetal	862.0 [34.0]
06						4.8	Δ400	IE3	1775	10.75	64.5	UL(E365362) • CSA IP55 • ISO F • bimetal	966.5 [38.1]
07	5.5	Δ400	IE3	1468	12.3	6.6	Δ460 Δ400	IE3	1764 1751	12.0 12.4	53.0	IP55 • ISO F • bimetal	913.0 [36.0]
08						6.6	YY230/Y460 YY208	IE3	1768 1760	23.9/11.95 24.2	63.5	UL(E365362) • CSA IP55 • ISO F • bimetal	951.0 [37.5]
09	5.5	Δ200/Y350	IE3	1465	21.5/12.4	6.6	Δ220/Y380–400 Δ200/Y350	IE3	1755 1740	22.5/13–12.7 24.1/13.9	63.5	UL(E365362) • CSA CC334B IP55 • ISO F • bimetal	951.0 [37.5]
10						6.6	Δ400	IE3	1760	12.5	63.5	UL(E365362) • CSA CC334B IP55 • ISO F • bimetal	951.0 [37.5]

▪ Current consumption and rotation speed may vary. Tolerance in each case -1.5/+2%



Reference data (atmosphere): 1000 mbar (100 kPa), 20°C (68°F)
 Tolerance: ±5%
 Air temperature: 5°C ... 45°C (41°F ... 135°F)

+ VARIANTS AND ACCESSORIES

- **KDT 3.100/0-52** for short-time operation with +2.0 bar¹⁾
- **VARIAIR KDT 3.100/0-400** with frequency inverter¹⁾
- Increased corrosion protection
- External suction filter¹⁾
- Sound proof box SH 13¹⁾



VARIAIR KDT 3.100/0-400



Example for an external suction filter



Sound proof box SH 20

¹⁾ See separate data sheet

- Possible combinations on request



MAKE IT BECKER.