

DATA SHEET

DT 4.2

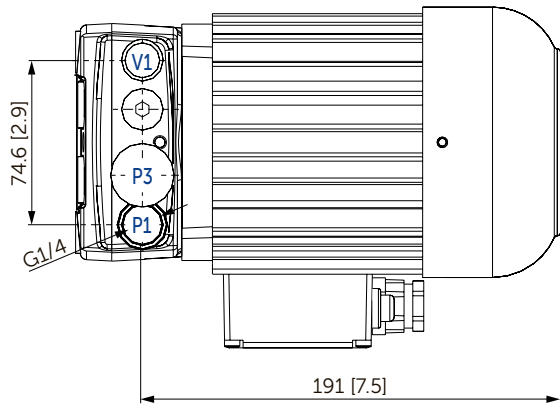
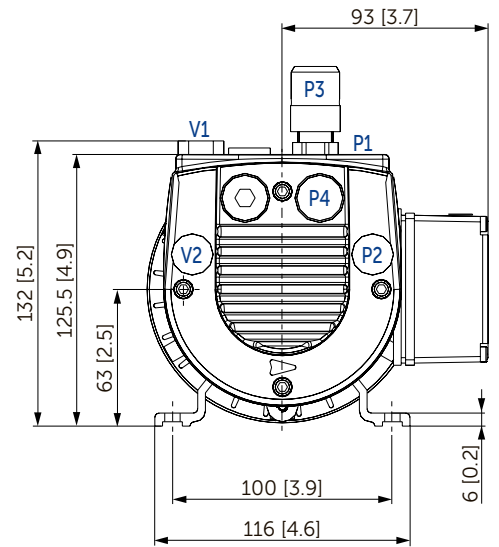
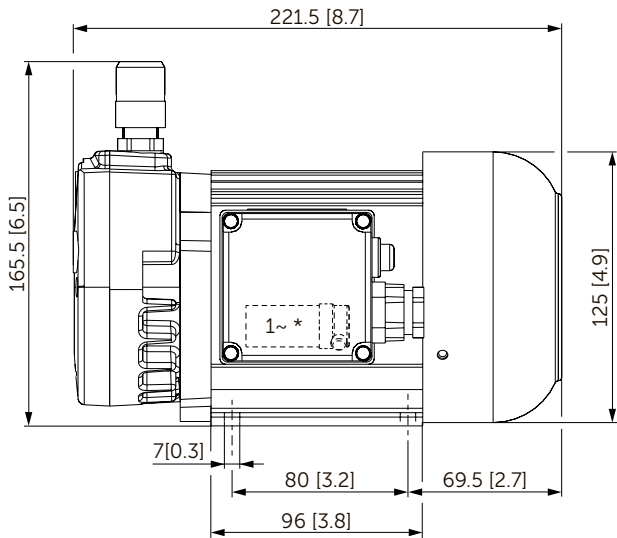
ROTARY VANE COMPRESSORS

oil-free

air-cooled

MAKE IT BECKER.





P1 (P2) Pressure connection (G $\frac{1}{4}$)

P3 (P4) Pressure regulating valve

V1 (V2) Air nozzle

(XX) Alternative

* The size and position of the capacitor can change with changed voltage / frequency.

▪ Including integrated suction air filter

▪ The motor illustration may vary

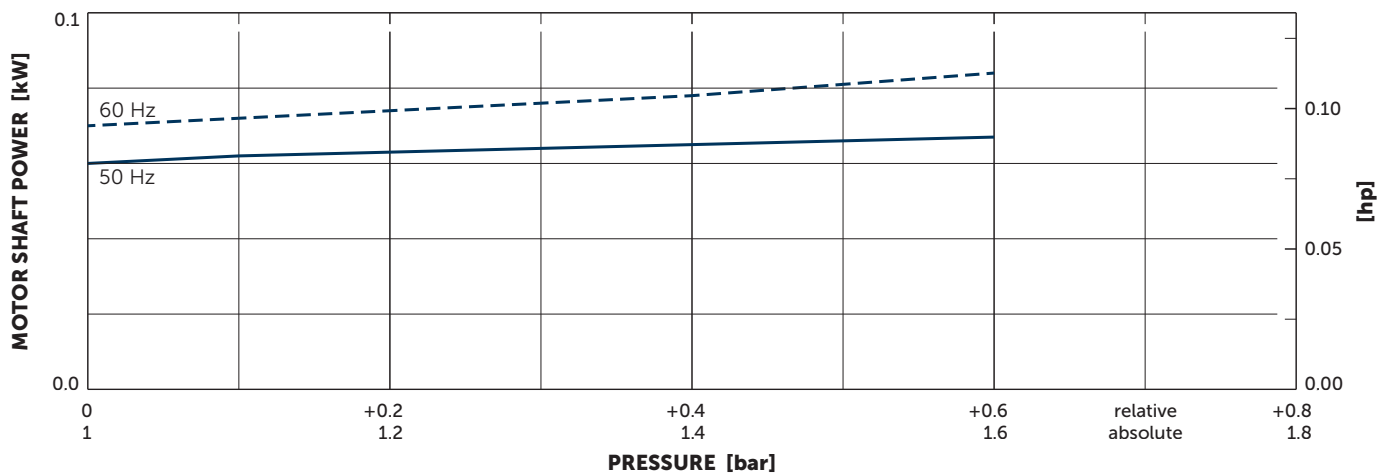
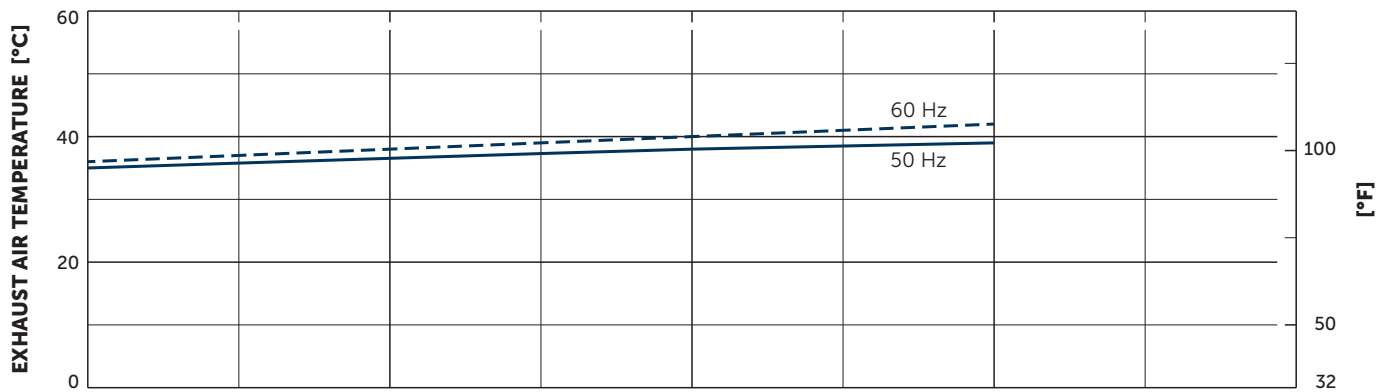
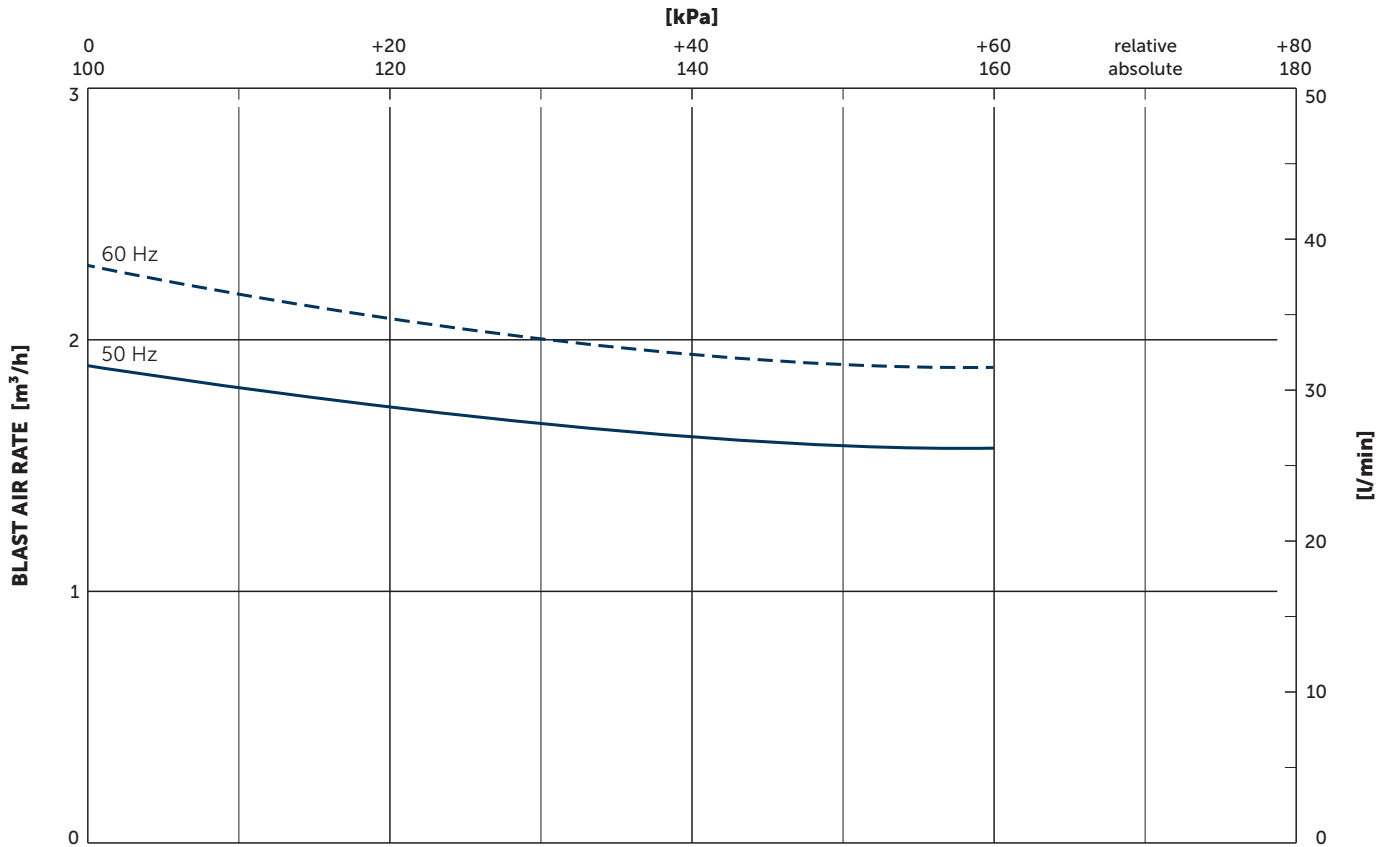
▪ Dimensions in mm [inch]

| Blast air rate | | Pressure relative | | Emission sound pressure level ¹⁾ | | Weight incl. motor |
|-------------------|-------|-------------------|-------|---|-------|--------------------|
| m ³ /h | | bar | | dB(A) | | kg |
| 50 Hz | 60 Hz | 50 Hz | 60 Hz | 50 Hz | 60 Hz | |
| 1.9 | 2.3 | +0.6 | +0.6 | 53 | 55 | 7 |

| 1~ Motor | | | | | | | | | |
|----------|-------|----------|------|------|-------|----------|------|------|------------------------------|
| # | 50 Hz | | | | 60 Hz | | | | Version |
| | kW | V | rpm | A | kW | V | rpm | A | |
| 01 | 0.09 | 230 ±10% | 1320 | 1.11 | 0.105 | 230 ±10% | 1570 | 1.07 | IP54 • ISO F 4 µF (400 V) |

¹⁾ DIN EN ISO 3744 (KpA = 3 dB(A)) interval of 1 m [39.4 inch], at medium load, both connection sides piped

▪ Current consumption and rotation speed may vary. Tolerance in each case -1.5/+2%



Reference data (atmosphere): 1000 mbar (100 kPa), 20°C (68°F)
 Tolerance: ±10%



MAKE IT BECKER.