

DATA SHEET

**KVX 3.100**

# ROTARY VANE VACUUM PUMPS

oil-free

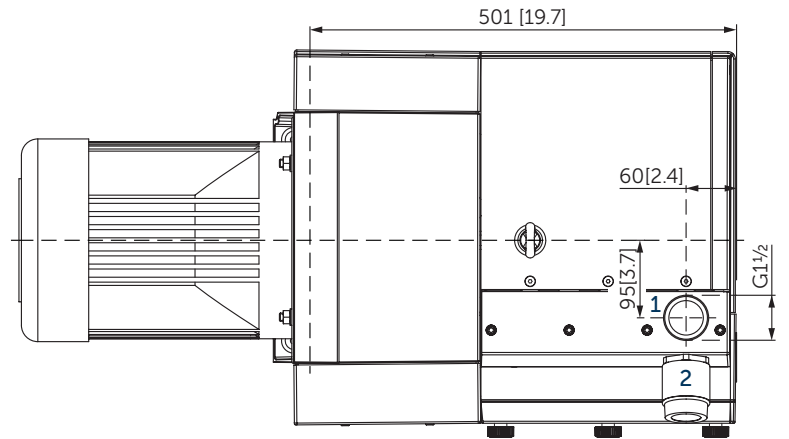
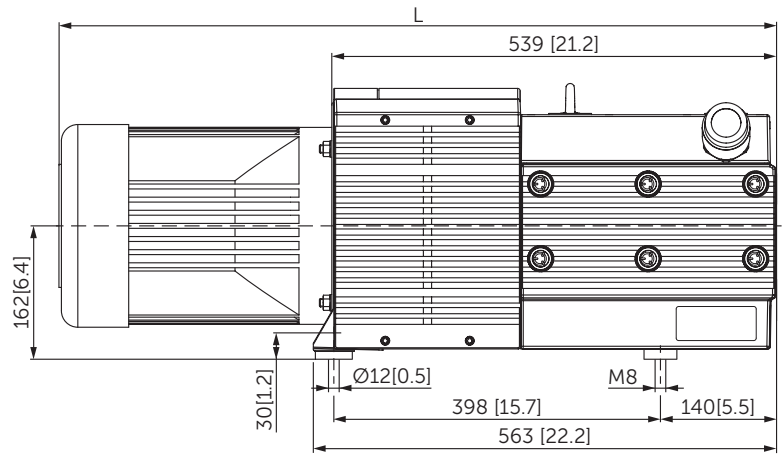
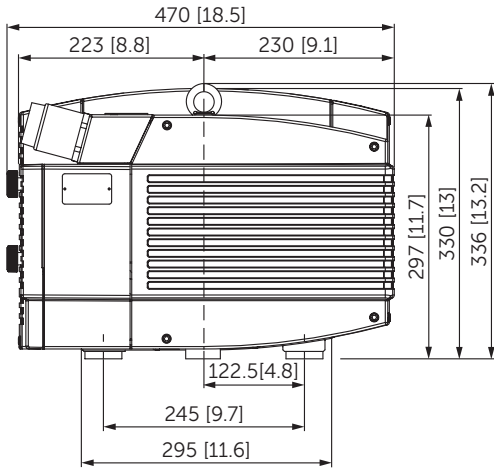
air-cooled

**MAKE IT BECKER.**



figure KVX 3.80





- 1 Vacuum connection (G1½)
- 2 Vacuum regulating valve
  - Including integrated suction air filter and blow-off valve
  - The motor illustration may vary.
  - Dimensions in mm [inch]

Suction air rate		Vacuum absolute		Emission sound pressure level <sup>1)</sup>		Weight w/o motor
m <sup>3</sup> /h		mbar		dB(A)		kg
50 Hz	60 Hz	50 Hz	60 Hz	50 Hz	60 Hz	
98	112	100	100	75	77	71

<sup>1)</sup> According to DIN EN ISO 3744 (KpA = 3 dB(A)), 1 m [39.4 inch] distance, at medium load, both connection sides piped

3~ Motors												L	
#	50 Hz					60 Hz				Version	Weight kg	mm [inch]	
	kW	V	min <sup>-1</sup>	A	kW	V	min <sup>-1</sup>	A					
01	3.0	Δ230/Y400	IE3	1445	12.1/7.0	3.6	Δ265/Y460	IE3	1735	12.0/6.9	IP55 • ISO F • bimetal	29	843 [33.2]
							Δ230/Y400		1705	12.7/7.4			
02	3.0	Δ230/Y400	IE3	1460	12.3/7.1	3.6	Δ265/Y460	IE3	1755	12.0/6.9	UL(E365362) • CSA CC334B IP55 • ISO F • bimetal	37	851 [33.5]
							Δ230/Y400		1745	12.3/7.1			
03						3.6	YY230/Y460	IE3	1755	12.7/6.3	UL(E365362) • CSA CC334B IP55 • ISO F • bimetal	37	851 [33.5]
							YY208		1735	13.5			
04	3.0	Δ200/Y350		1465	14.2/8.2	3.6	Δ220/Y380-400	IE3	1755	13.5/7.8-7.5	UL(E365362) • CSA CC334B IP55 • ISO F • bimetal	37	851 [33.5]
							Δ200/Y350		1745	13.8/8.0			
05						3.6	Δ400	IE3	1760	7.6	UL(E365362) • CSA CC334B IP55 • ISO F • bimetal	37	851 [33.5]

- Current consumption and rotation speed may vary. Tolerance in each case -1.5/+2%

#### SERIES X: BECKER INNOVATION WITH TOP WARRANTY

Equipped with specially developed vanes, these oil-free rotary vane pumps distinguish themselves by high abrasion resistance, and with that extremely long service lives. Due to the low wear there is also minimal dust, so the series X pumps are perfectly suited for precision processes under clean room conditions.

This innovation branded by Becker is outstanding not only because of its 100 percent oil-free operation, excellent degree of efficiency and low power consumption.

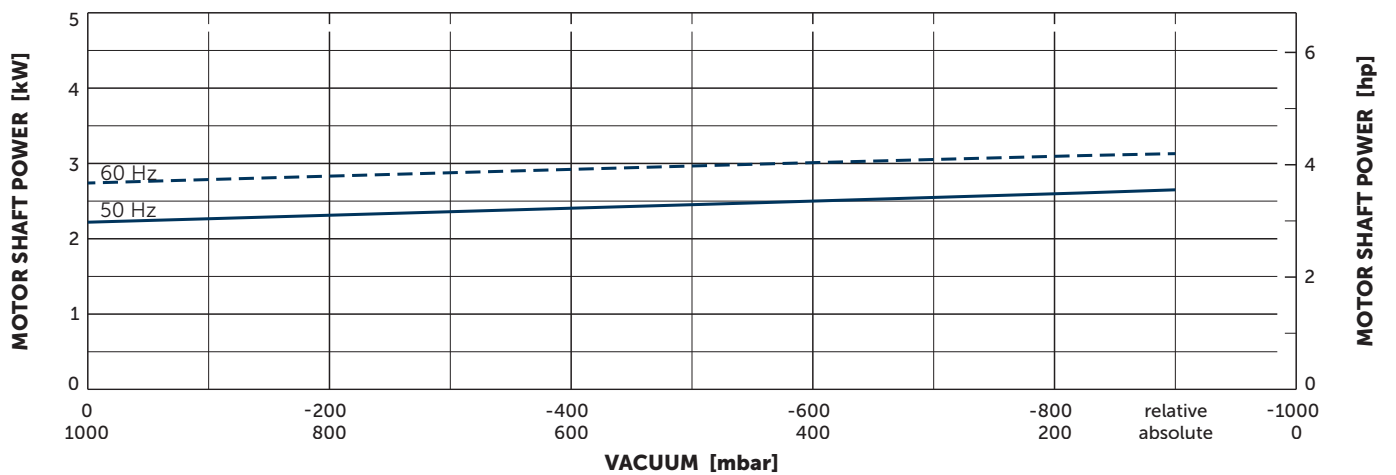
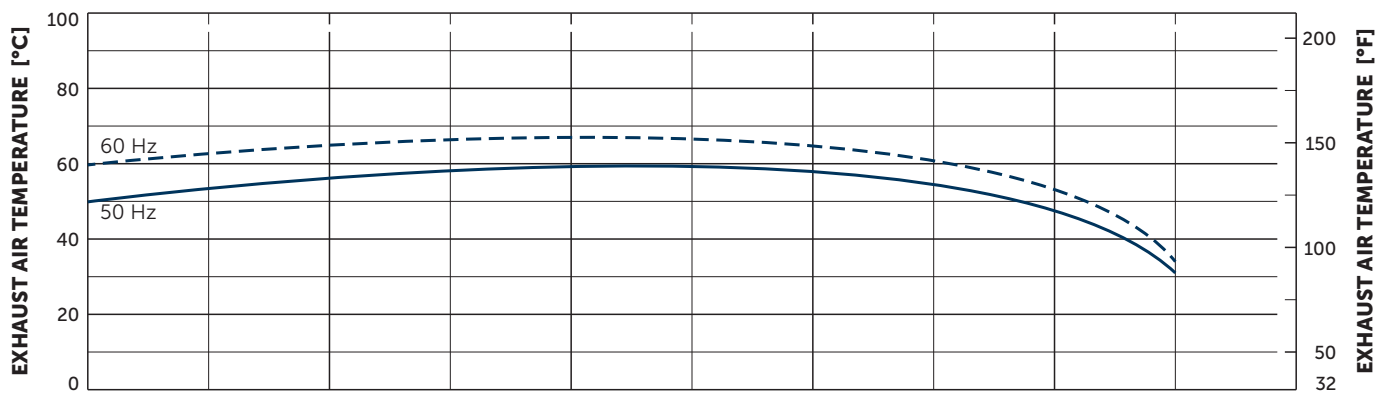
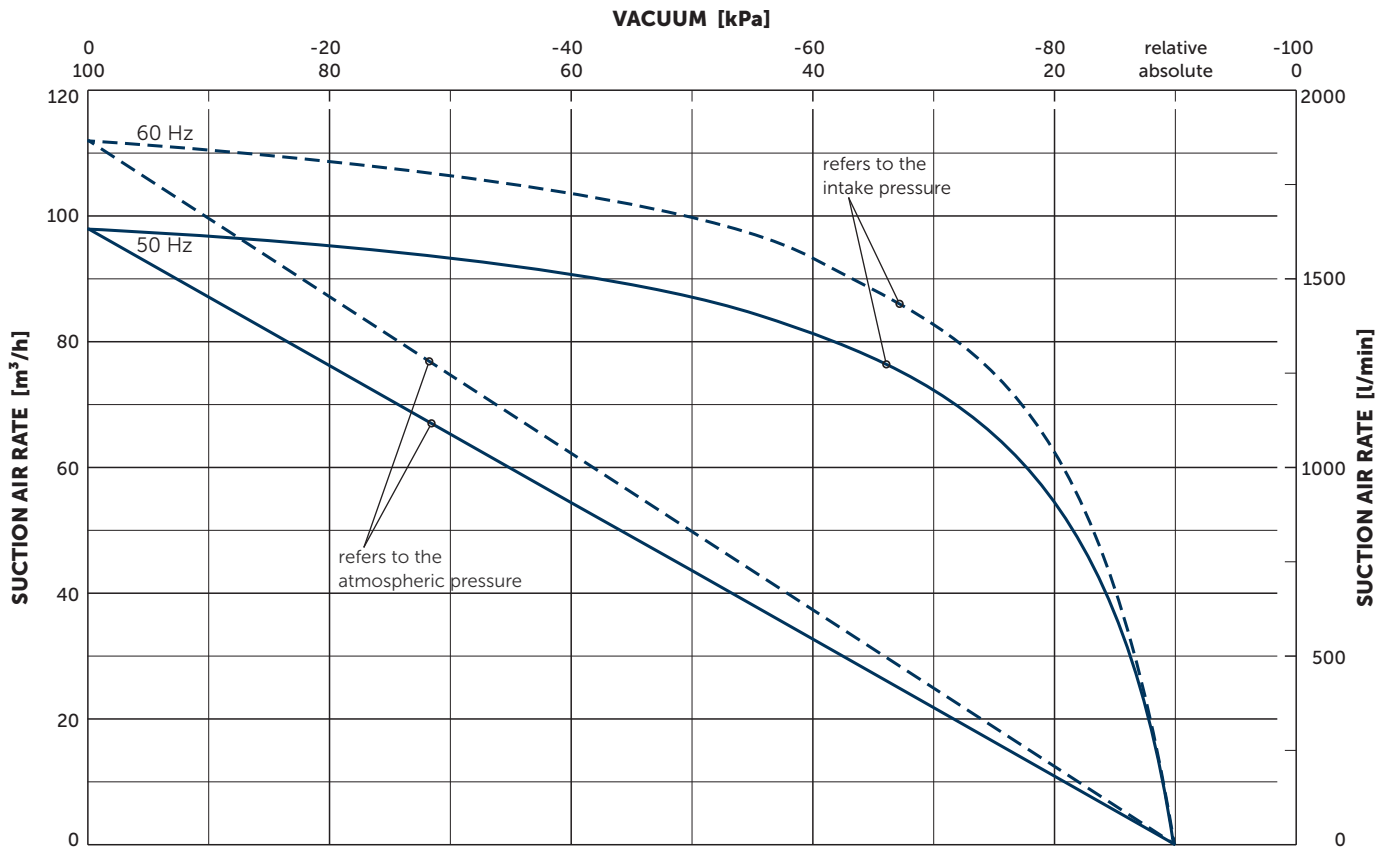
In the area of sensitive vacuum, series X also guarantees precise low-pulsation air conduction.

Becker guarantees for these pumps a vane life-time of 20,000 operating hours or a maximum of 3 years. The enhanced longevity of X series pumps also extends service life intervals, and can cut out the need for frequent service visits with costly pump failures now no longer an issue.



#### ADVANTAGES

- Quick, clean and quiet
- Oil-free
- Wear resistant
- Energy saving
- Long-life reliability

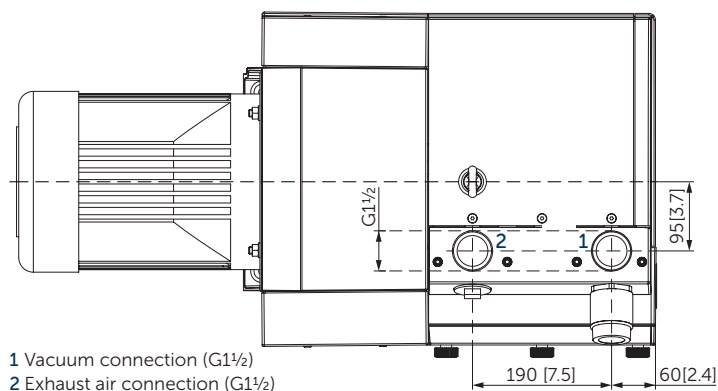


Reference data (atmosphere): 1000 mbar (100 kPa), 20°C (68°F)  
Tolerance: ±5%

## + VARIANTS AND ACCESSORIES

### OTHER VARIANTS AND ACCESSORIES

- **K VX 3.100/0-54** with exhaust air connection
- **VARIAIR K VX 3.100/0-400** with frequency inverter
- External suction filter<sup>1)</sup>
- Sound proof box SH 13<sup>1)</sup>



Example for an external suction filter



Sound proof box SH 13

<sup>1)</sup> See separate data sheet

- Possible combinations on request



**MAKE IT BECKER.**