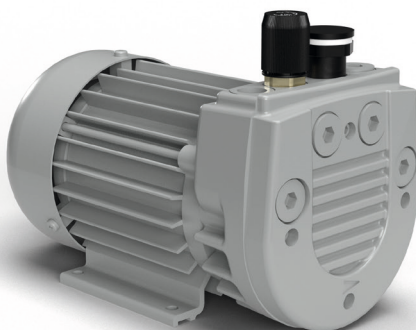



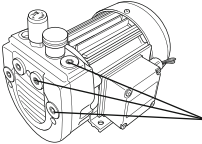


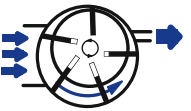




**BETRIEBSANLEITUNG  
OPERATING INSTRUCTIONS  
INSTRUCTIONS DE SERVICE  
ISTRUZIONI D'USO  
HANDLEIDING  
INSTRUCCIONES PARA EL MANEJO  
MANUAL DE INSTRUÇÕES  
NAUDOJIMOSI INSTRUKCIJA  
KASUTUSJUHEND  
LIETOŠANAS INSTRUKCIJA  
DRIFTSINSTRUKS  
DRIFTSINSTRUKTIONER  
DRIFTSVEJLEDNING  
INSTRUKCJA OBSŁUGI**

**KEZELÉSI ÚTMUTATÓ  
NÁVOD K OBSLUZE  
NAVODILO ZA UPORABO  
NÁVOD NA OBSLUHU  
UPUTE ZA RAD  
MANUAL DE OPERATII  
TREORACHA OIBRIÚCHÁIN  
ΟΔΗΓΙΕΣ ΧΡΗΣΗΣ  
EL KITABI  
ИНСТРУКЦИИ ЗА ЕКСПЛОАТАЦИЯ  
ИНСТРУКЦИЯ ПО ЕКСПЛОАТАЦИИ  
取扱説明書  
사용설명서  
使用说明书**



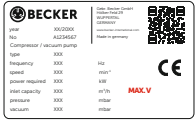
## **VT 4.8**

**MAKE IT BECKER.**



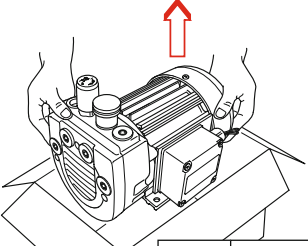



 	
	
 <p><input checked="" type="checkbox"/> <b>AIR</b></p>	 
	 



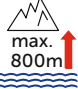
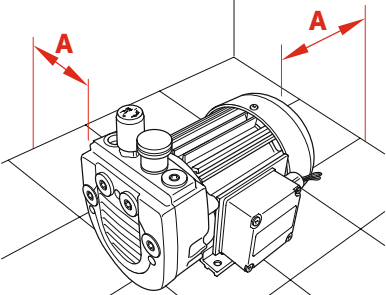
1

<p><b>MAX. VACUUM</b></p>  <p><b>MAX.</b></p>	 <p><b>MAX. VACUUM</b> mbar</p>
	 <p><b>MAX. V</b> m<sup>3</sup>/h</p>
<p><b>L<sub>pA</sub></b> )))</p> <p>DIN EN ISO 11203 Accuracy Class 2 K<sub>son</sub> = 3 dB(A) l = 1m</p>	<p><b>L<sub>pA</sub></b> = 58 dB(A) - 50Hz <b>L<sub>pA</sub></b> = 61 dB(A) - 60Hz</p>

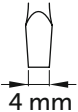
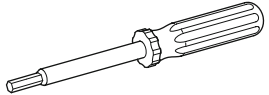

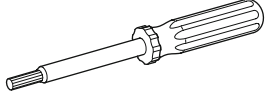
2

	
	
	<p><b>11,5 kg</b> <b>25,3 lbs</b></p>

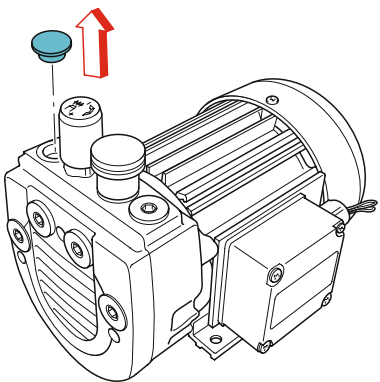
3

<p><b>A &gt; 100mm</b> <b>A &gt; 4"</b></p>	 <p><b>&gt; 5°C/41°F</b> <b>&lt; 45°C/113°F</b></p>	 <p><b>max. 90%</b></p>	 <p><b>max. 800m</b></p>
			

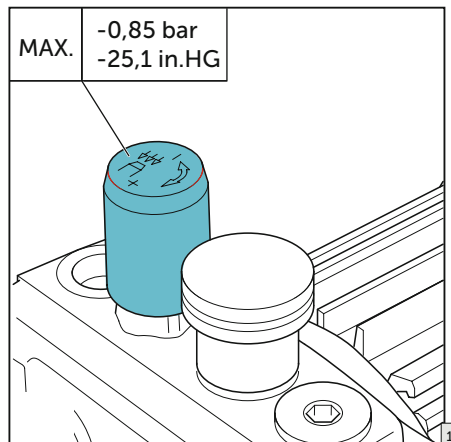
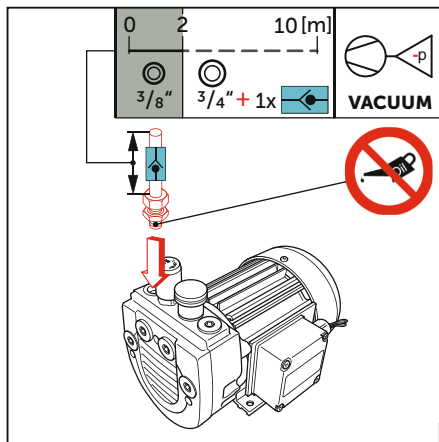
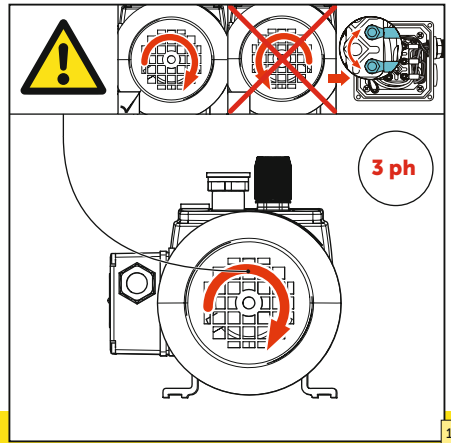
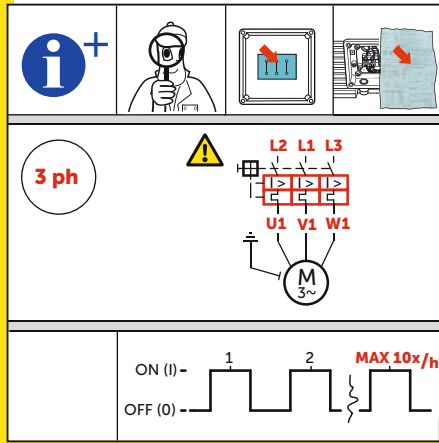
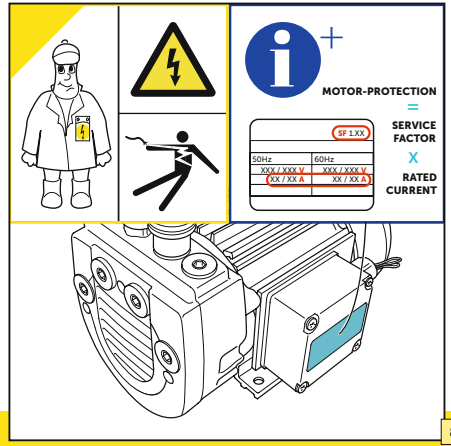
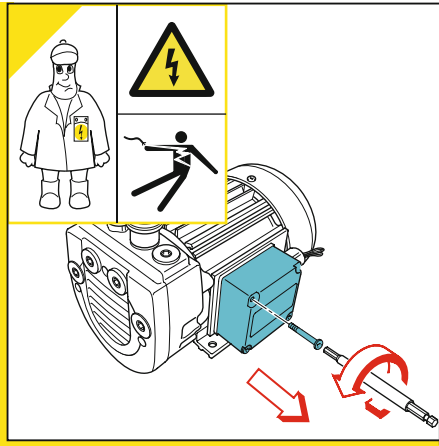
4

 <p><b>4 mm</b></p>	 <p><b>6 mm</b></p>
 <p><b>T20</b></p>	




5


--




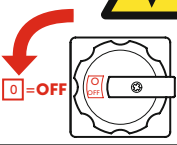


6




**Maintenance**

13









**n=0min<sup>-1</sup>**



2-3 Min

14




**CLEANING INTERVAL**

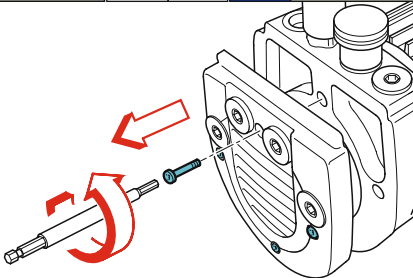
SUCTION AIR

40h

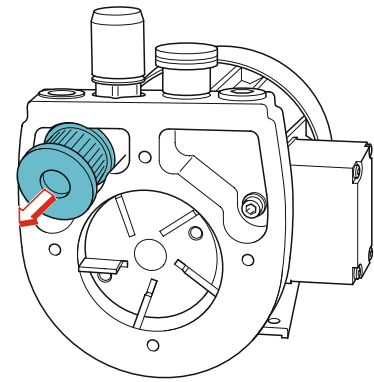
200h



EN149 - FFP3  
42 CFR 84 - N100

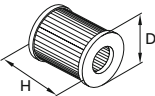


15



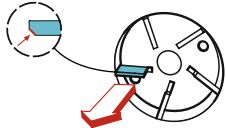
16





D: 30 mm  
H: 32 mm  
No.: 90958100000


17



**3000 h**

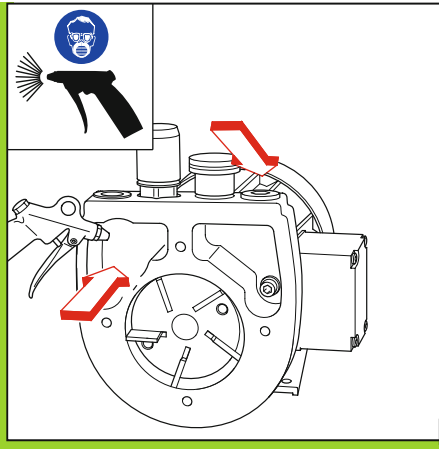


A<sub>MAX</sub> = 18,5mm  
A<sub>MIN</sub> = 12,5mm

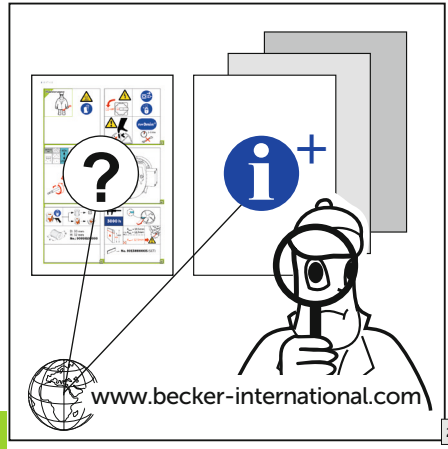
A<sub>FT</sub> < 12,5mm → 

 → No. 90138800005 (SET)

18



19



20



[WWW.BECKER-INTERNATIONAL-SHOP.COM](http://WWW.BECKER-INTERNATIONAL-SHOP.COM)

Gebr. Becker GmbH  
Hoelker Feld 29-31  
42279 WUPPERTAL  
GERMANY  
[info@becker-international.com](mailto:info@becker-international.com)  
[www.becker-international.com](http://www.becker-international.com)





**MAKE IT BECKER.**

28100027202 | 2021-11-12 | All rights reserved